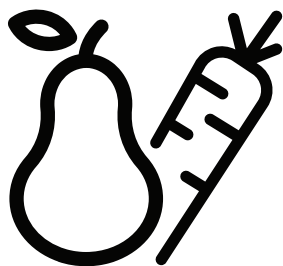


0 0(0)0''



CE

## Please read this manual before using the product!

Dear Valued Customer,





We wish you to get the best results from your product that has been manufactured meticulously at modern plants and tested with detailed quality control checks.

For this reason, we recommend that you read this user manual thoroughly before starting the product. If you hand over the product to someone else, please remember to give the user manual as well.

### This manual will help you use your appliance in a fast and safe way.

- Please read this user manual carefully before installing and using the product.
- Always follow the applicable safety instructions.
- Keep the user manual in an easily accessible place for further use.
- Please read all the other documents provided with the product.

Please keep in mind that this manual may apply to several product models. This manual expressly indicates the differences between various models.





|  |  |
|--|--|
|  | Important information and useful hints.  |
|  | Risk of injury and property damage.  |
|  | Risk of electric shock.  |
|  | Packaging materials of this product has been manufactured from recyclable materials in accordance with the National Environment Regulations. |

|  |           |   |           |
|--|-----------|---|-----------|
| <b>1 Important Instructions Regarding Safety and Environment</b>                   | <b>4</b>  | 5.16.Using the water dispenser . . . . .                  | 16        |
| 1.1. General Safety . . . . .  | 4         | 5.17.Filling the water dispenser's tank . . . . .         | 17        |
| 1.1.1 Hydrocarbon (HC) Warning . . . . .   | 6         | 5.18. Cleaning the water tank . . . . .                   | 17        |
| 1.1.2 For Products with a Water Dispenser/Ice Machine                              | 6         | 5.19.Drip tray . . . . .                                  | 18        |
| 1.2. Intended Use . . . . .  | 7         | 5.20.HerbBox/HerbFresh . . . . .                          | 18        |
| 1.3. Children's Safety . . . . .   | 7         | 5.21.Freezing fresh food. . . . .                         | 19        |
| 1.4. Compliance with the WEEE Directive and Disposing the Waste Product: . . . . . | 7         | 5.22.Recommendations for storing frozen foods . . . . .   | 19        |
| 1.5. Compliance with the RoHS Directive: . . . . .                                 | 7         | 5.28.Blue light/HarvestFresh. . . . .                     | 20        |
| 1.6. Packaging Information . . . . .   | 7         | 5.23.Deep freezer details . . . . .                       | 20        |
| <b>2 Your Refrigerator</b>   | <b>8</b>  | 5.24.Placing the food . . . . .                           | 20        |
| <b>3 Installation</b>  | <b>9</b>  | 5.25.Door open alert . . . . .                            | 20        |
| 3.1. Right place for installation. . . . .   | 9         | 5.26.Changing the opening direction of the door . . . . . | 20        |
| 3.2. Attaching the plastic wedges . . . . .  | 9         | 5.27.Interior light . . . . .                             | 20        |
| 3.3. Adjusting the stands. . . . .   | 9         | <b>6 Care and Cleaning</b>                                | <b>21</b> |
| 3.4. Power connection. . . . .   | 9         | 6.1. Avoiding Bad Odours . . . . .                        | 21        |
| <b>4 Preparation</b>   | <b>10</b> | 6.2. Protection of plastic surfaces . . . . .             | 21        |
| 4.1. What to do for energy saving . . . . .  | 10        | 6.3. Cleaning the Inner Surface . . . . .                 | 21        |
| 4.2. First Use . . . . .   | 10        | 6.4. Stainless Steel Outer Surfaces . . . . .             | 21        |
| <b>5 Using the product</b>   | <b>11</b> | 6.5. Cleaning Products with Glass Doors . . . . .         | 22        |
| 5.1. Thermostat setting button. . . . .  | 11        | <b>7 Troubleshooting</b>                                  | <b>23</b> |
| 5.2. Thermostat setting button. . . . .  | 11        |   |           |
| 5.3. Defrost. . . . .  | 11        |   |           |
| 5.4. Ice bucket . . . . .  | 12        |   |           |
| 5.5. Eggholder . . . . .   | 12        |   |           |
| 5.6. Fan . . . . .   | 12        |   |           |
| 5.7. Vegetable bin . . . . .   | 12        |   |           |
| 5.8. Zero degree compartment . . . . .   | 12        |   |           |
| 5.9. Using the second crisper of the product; . . . . .                            | 13        |   |           |
| 5.10.Moving door rack . . . . .  | 14        |   |           |
| 5.11.Sliding storage box . . . . .   | 14        |   |           |
| 5.12.Deodoriser Module . . . . .   | 14        |   |           |
| 5.13.Moisture controlled vegetable bin . . . . .                                   | 15        |   |           |
| 5.14.Automatic ice machine . . . . .   | 15        |   |           |
| 5.15.Icematic and ice storage container . . . . .                                  | 16        |   |           |

# 1 Important Instructions Regarding Safety and Environment

This chapter contains safety information that will help you avoid the risk personal injury or property damage. Failure to follow these instructions shall render any product warranty void.

## Intended use

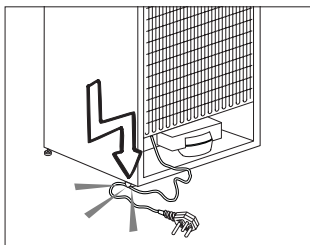
|  |   |
|--|---|
|  | <b>WARNING:</b><br>Keep ventilation openings, in the appliance enclosure or in the built-in-structure, clear of obstruction.  |
|  | <b>WARNING:</b><br>Do not use mechanical devices or other means to accelerate the defrosting process, other than those recommended by the manufacturer.                 |
|  | <b>WARNING:</b><br>Do not damage the refrigerant circuit.   |
|  | <b>WARNING:</b><br>Do not use electrical appliances inside the food storage compartments of the appliance, unless they are of the type recommended by the manufacturer. |

This appliance is intended to be used in household and similar applications such as

- staff kitchen areas in shops, offices and other working environments;
- farm houses and by clients in hotels, motels and other residential type environments;
- bed and breakfast type environments;
- catering and similar non-retail applications.

## 1.1. General Safety

- Persons with physical, sensory or mental disabilities; persons who lack experience and information and children should not approach, enter or play with the product.
- Failure to follow the instructions and uncontrolled use of the product lead to dangerous results!
- Unplug the product if you encounter a failure during use.
- If the product malfunctions, it must not be operated until repaired by the authorised service provider. Risk of electric shock!
- Plug the product into a grounded socket protected by a fuse that corresponds to the value on its nameplate. Have a qualified electrician ground the product. Our company cannot be held responsible for damages resulting from the failure to use the product with a grounded socket pursuant to local regulations.
- Unplug the product when not in use.
- Never wash the product by spreading or pouring water onto it! Risk of electric shock!
- Never touch the plug with wet hands!
- Never unplug the product by pulling the cable. Always pull the plug by holding the socket.



## Safety and environment instructions

- Do not plug the refrigerator if the wall socket is loose.
- Never connect your refrigerator to energy saving devices. Such systems are harmful to your product.
- Unplug the product during installation, care, cleaning and repairing procedures.
- Always have the **Authorised Service Provider** install the product and establish its electrical connections. The manufacturer cannot be held responsible for damages caused by procedures performed by unauthorised persons.
- Do not eat cone ice cream or ice cubes immediately after you take them out of the freezer compartment! This may cause frostbite in your mouth!
- Do not touch frozen food with wet hands! They may stick to your hand!
- Do not put bottled or canned liquid beverages in the freezer compartment. They may burst!
- Never use steam or steam cleaners to clean or defrost the refrigerator. Steam gets into contact with the live parts in your refrigerator, causing short circuit or electric shock!
- Do not use mechanical devices or other means to accelerate the defrosting process other than those recommended by the manufacturer.
- Never use the parts in your refrigerator such as the door and drawer as a means of support or step. This may cause the product to tip over or damage the parts of it.
- Do not damage the parts where the refrigerant is circulating with drilling or cutting tools. The refrigerant that might blow out when the gas channels of the evaporator, pipe extensions or surface coatings are punctured causes skin irritations and eye injuries.
- Do not cover or block the ventilation holes in your refrigerator with any object.
- Place the beverage with higher proofs tightly closed and vertically.
- Do not use gaseous sprays near the product since there is the risk of fire or explosion!
- Flammable items or products that contain flammable gases (e.g. spray) as well as explosive materials should never be kept in the appliance.
- Do not place vessels filled with liquid onto the product. Splashing water on an electrical part may cause electric chock or the risk of fire.
- Do not store items that need precise temperature adjustment (such as vaccines, heat-sensitive medication, science materials etc.) in the refrigerator.
- If you are not going to use the product for a long time, unplug it and remove the food in it.
- If there is a blue light on the refrigerator, do not look at this light with optical tools.
- Exposing the product to rain, snow, sun or wind is dangerous in terms of electrical safety.
- In products with mechanical control (thermostat), wait for 5 minutes to plug in the product again after unplugging.
- Do not overload the refrigerator. Objects in the refrigerator may fall down when the door is opened, causing injury or damage. Similar

## Safety and environment instructions




problems may arise if any object is placed onto the product.

- If the product has a door handle, do not pull the handle when re-locating the product. The handle might be loose.
- Be careful not to jam your hand or any other body part in the moving parts of the refrigerator.
- Do not put your hand or any other foreign materials into the ice machine while it is operating.

### 1.1.1 Hydrocarbon (HC) Warning

- If your product's cooling system contains R600a:

This gas is flammable. Therefore, pay attention not to damage the cooling system or the piping during use and transportation. If damaged, keep the product away from potential fire sources that may cause it to catch fire and ventilate the room where the product is placed.

|   |  |
|---|--|
|  | If the product is damaged and if you see gas leak, please keep away from the gas. It may cause frostbite when it gets into contact with the skin. (including R134) |
|  | Ignore this warning if the cooling system of your product contains R134a.  |
|  | Type of gas used in the product is stated on the type plate which is on the left wall inside the refrigerator.   |



### WARNING:

Never throw the product into fire for disposal.

### 1.1.2 For Products with a Water Dispenser/Ice Machine

- Pressure for cold water inlet shall be maximum 90 psi (620 kPa). If your water pressure exceeds 80 psi (550 kPa), use a pressure limiting valve in your mains system. If you do not know how to check your water pressure, ask for the help of a professional plumber.
- If there is a risk of water impact in your installation, always use a water impact protection equipment in that installation. Please consult professional plumbers if you are not sure if there is water impact in your installation.
- Do not make installation on the hot water inlet.
- Use drinking water only.
- Take the necessary measures against the freezing risk of the hoses. The water temperature operating range must be 0.6°C (33°F) minimum and 38°C (100°F) maximum.



### WARNING:

Never connect the product to a cold water mains with a pressure of 550 kPa (80 psi) or above.

## Safety and environment instructions

### 1.2. Intended Use

- This product has been designed for domestic use. It is not suitable for commercial use and it must not be used out of its intended use.
- It must be used only for storing food.
- The manufacturer will not take any responsibility for damages resulting from improper use or transport.
- Original spare parts will be available for 10 years after the purchase date of the product.

### 1.3. Children's Safety

- If there is a lock on the door of the product, the key should be kept out of the reach of children.
- Do not let children play with the product.

#### **DANGER:**

Before disposing your old refrigerator or freezer:

- Children may get locked inside.
- Remove the doors.
- Leave the shelves to prevent children from getting inside the product easily.



### 1.4. Compliance with the WEEE Directive and Disposing the Waste Product:



This product conforms to the EU WEE Directive (2012/19 EU). This product bears a classification symbol for waste electrical and electronic equipment (WEEE). This product has been manufactured from high quality parts and materials which can be reused and are suitable for recycling. Therefore, do not dispose the product with normal domestic waste or other waste at the end of its service life. Take it to a collection centre for recycling electrical and electronic equipment. Please consult local authorities to learn about the locations of such collection centres.

### 1.5. Compliance with the RoHS Directive:

The unit you have purchased conforms to the EU RoHS Directive (2011/65/EU). It does not contain harmful or prohibited materials specified in the Directive.

### 1.6. Packaging Information

- Packaging materials of the product have been manufactured from recyclable materials in accordance with our National Environment Regulations. Do not dispose the packaging materials with normal domestic waste or other types of waste. Take these materials to a recycling point designated by local authorities.

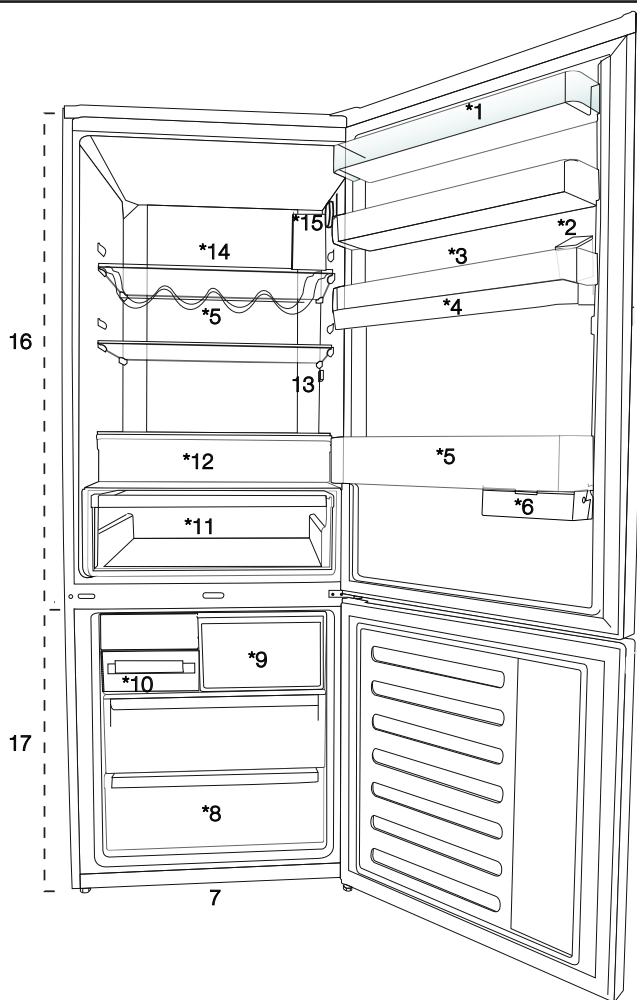
#### **DANGER:**

##### **Risk of Fire or Explosion:**

- This product uses flammable refrigerant.
- Do not use mechanical devices to defrost the refrigerator.
- Do not use chemicals for cleaning.
- Do not pierce the refrigerant pipe.
- If the refrigerant pipe is pierced, it must be repaired only by licensed service personnel.
- Please consult the repair/user manual before cleaning the product. All safety instructions must be followed.
- Dispose the product according to federal or local regulations.



## 2 Your Refrigerator



1. Cooler compartment door shelf
2. Water dispenser filling tank
3. Egg section
4. Water dispenser reservoir
5. Bottle shelf
6. Sliding storage box
7. Adjustable legs
8. Deep freezer compartment
9. Quick freeze compartment
10. Ice cube tray & Ice bank
11. Vegetable bin
12. Zero degree compartment
13. Interior light
14. Cooler compartment glass shelf
15. Temperature adjustment button
16. Cooler compartment
17. Freezer compartment

**May not be available in all models**






**\*optional:** Pictures given in this manual are given as example figures and they may not be exactly the same as your product. If your product does not comprise the relevant parts, the information pertains to other models.



### 3.1. Right place for installation

Contact the Authorized Service for the product's installation. To ready the product for installation, see the information in the user guide and make sure the electric and water utilities are as required. If not, call an electrician and plumber to arrange the utilities as necessary.

|   |   |
|---|---|
|  | <b>WARNING:</b> The manufacturer assumes no responsibility for any damage caused by the work carried out by unauthorized persons.   |
|  | <b>WARNING:</b> The product's power cable must be unplugged during installation. Failure to do so may result in death or serious injuries!                                    |
|  | <b>WARNING:</b> If the door span is too narrow for the product to pass, remove the door and turn the product sideways; if this does not work, contact the authorized service. |

- Place the product on a flat surface to avoid vibration.
- Place the product at least 30 cm away from the heater, stove and similar sources of heat and at least 5 cm away from electric ovens.
- Do not expose the product to direct sunlight or keep in damp environments.
- The product requires adequate air circulation to function efficiently.
- If the product will be placed in an alcove, remember to leave at least 5 cm distance between the product and the ceiling and the walls.
- Do not install the product in environments with temperatures below -5°C.

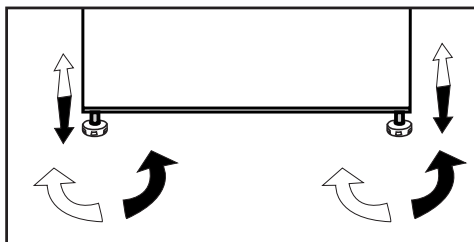
### 3.2. Attaching the plastic wedges

Use the plastic wedges in the provided with the product to provide sufficient space for air circulation between the product and the wall.




1. To attach the wedges, remove the screws on the product and use the screws provided with the wedges.
2. Attach 2 plastic wedges on the ventilation cover as shown in the figure.

### 3.3. Adjusting the stands


If the product is not in balanced position, adjust the front adjustable stands by rotating right or left.



### 3.4. Power connection

|   |  |
|---|--|
|  | <b>WARNING:</b> Do not use extension or multi sockets in power connection.                         |
|  | <b>WARNING:</b> Damaged power cable must be replaced by Authorized Service.                        |
|  | When placing two coolers in adjacent position, leave at least 4 cm distance between the two units. |

- Our firm will not assume responsibility for any damages due to usage without earthing and power connection in compliance with national regulations.
- The power cable plug must be easily accessible after installation.
- Do not use multi-group plug with or without extension cable between the wall socket and the refrigerator.

|   |  |
|---|--|
|  | <b>Hot Surface Warning!</b><br>Side walls of your product is equipped with refrigerant pipes to improve the cooling system. Refrigerant with high temperatures may flow through these areas, resulting in hot surfaces on the side walls. This is normal and does not need any servicing. Please pay attention while touching these areas. |
|---|--|

### 4.1. What to do for energy saving

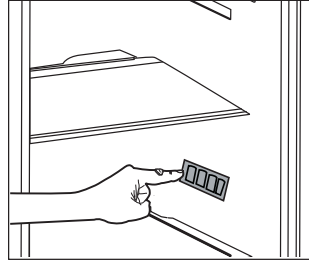


Connecting the product to electronic energy-saving systems is harmful, as it may damage the product.

- Do not keep the refrigerator doors open for long periods.
- Do not place hot food or beverages into the refrigerator.
- Do not overfill the refrigerator; blocking the internal air flow will reduce cooling capacity.
- In order to store the maximum amount of food into the cooler compartment of your refrigerator, you should take out the upper drawers and place it onto the glass rack. The declared energy consumption of your refrigerator was determined by taking out the cooler, ice tray and upper drawers in a way that will enable maximum storage. Using the below drawer when storing is strongly recommended. Energy saving function should be activated for best energy consumption.
- You should not block the airflow by putting food in front of the cooler fan. A space of minimum 3cm must be left in front of the protective fan wire when placing food.
- Depending on the product's features; defrosting frozen foods in the cooler compartment will ensure energy saving and preserve food quality.
- Food should be stored using the drawers in the cooler compartment in order to ensure energy saving and protect food in better conditions.
- Food packages should not be in direct contact with the heat sensor located in the cooler compartment. If they are in contact with the sensor, energy consumption of the appliance might increase.
- Make sure the foods are not in contact with the cooler compartment temperature sensor described below.
- Since hot and humid air will not directly penetrate into your product when the doors are not opened, your product will optimize itself in conditions sufficient to protect your food. Functions and components such as compressor, fan, heater, defrost, lighting, display and so on will operate according to the needs to consume minimum energy under these circumstances.

### 4.2. First Use

Before using your refrigerator, make sure the necessary preparations are made in line with the instructions in "Safety and environment instructions" and "Installation" sections.



- Keep the product running with no food inside for 6 and do not open the door, unless absolutely necessary.



A sound will be heard when the compressor is engaged. It is normal to hear sound even when the compressor is inactive, due to the compressed liquids and gasses in the cooling system.

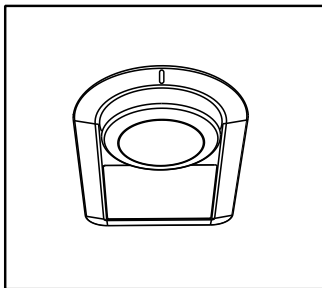


Front edges of the product might heat up. This is normal. These areas are designed to warm up in order to prevent condensation.

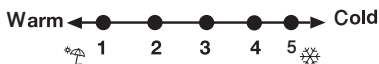


In some models indicator panel turns off automatically 5 minutes after the door closes. It will be reactivated when the door is open or any button is pressed.

### 5.1. Thermostat setting button



The operating temperature is regulated by the temperature control.



**1=Lowest cooling setting (Warmest setting).**

**4=Highest cooling setting (Coldest setting).**

The average temperature inside the fridge should be around +5°C.

Please choose the setting according to the desired temperature.

Please note that there will be different temperatures in the cooling area.

The coldest region is immediately above the vegetable compartment.

The interior temperature also depends on ambient temperature, the frequency with which the door is opened and the amount of foods kept inside.

Frequently opening the door causes the interior temperature to rise.

For this reason, it is recommended to close the door again as soon as possible after use.

### 5.2. Thermostat setting button

The interior temperature of your refrigerator changes for the following reasons;

- Seasonal temperatures,
- Frequent opening of the door and leaving the door open for long periods,

- Food put into the refrigerator without cooling down to the room temperature,
- The location of the refrigerator in the room (e.g. exposing to sunlight).
- You may adjust the varying interior temperature due to such reasons by using the thermostat. Numbers around the thermostat button indicates the cooling degrees.
- If the ambient temperature is higher than 32°C, turn the thermostat button to maximum position.
- If the ambient temperature is lower than 25°C, turn the thermostat button to minimum position.

### 5.3. Defrost

#### Fridge compartment

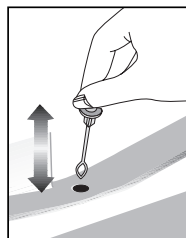
Fridge compartment performs full-automatic defrosting. Water drops and a frosting up to 7-8 mm can occur on the inner rear wall of the fridge compartment while your refrigerator cools down. Such formation is normal as a result of the cooling system. The frost formation is defrosted by performing automatic defrosting with certain intervals thanks to the automatic defrosting system of the rear wall. User is not required to scrape the frost or remove the water drops.

Water resulting from the defrosting passes from the water collection groove and flows into the evaporator through the drain pipe and evaporates here by itself.

Deep freezer compartment does not perform automatic defrosting in order to prevent decaying of the frozen food.

The freezer compartment defrosts automatically.

Check regularly to see if the drain pipe is clogged or not and clear it with the stick in the hole when necessary.



**May not be available in all models**



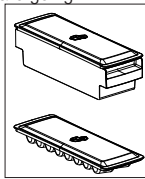
**\*Optional:** The figures in this user guide are intended as drafts and may not perfectly match your product. If your product does not comprise the relevant parts, the information pertains to other models.

## Using the product

### 5.4. Ice bucket

#### \*optional

- Take the ice bucket from the freezer compartment.
- Fill the ice bucket with water.
- Place the ice bucket into the freezer compartment.
- The ice will be ready after approximately two hours. Take the ice bucket from the freezer compartment and bend in slightly over the holder that you are going to serve. Ice will easily pour into the serving holder.



### 5.5. Eggholder

You can put the eggholder on the door or body rack of your choice. If you decide to put it on the body rack, it is recommended to prefer the shelves below as they are colder.

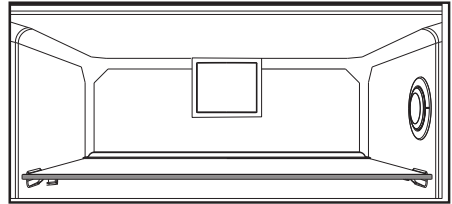


Do not put the eggholder into the freezer compartment.

### 5.6. Fan

Fan was designed to distribute circulate the cold air inside your refrigerator homogeneously. Operating time of the fan might vary depending the features of your product.

While in some products fan only operates with compressor, in others control system determines the operating time based on the need for cooling.



### 5.7. Vegetable bin

#### \*optional

Product's vegetable bin is designed to keep vegetables fresh by preserving humidity. For this purpose, the overall cold air circulation is intensified in the vegetable bin.

### 5.8. Zero degree compartment

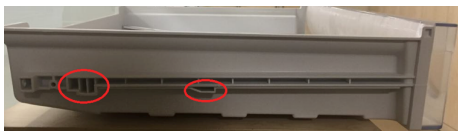
#### \*optional

Use this compartment to keep delicatessen at lower temperatures or meat products for immediate consumption.

Zero degree compartment is the coolest place where foods such as dairy products, meat, fish and chicken can be stored in ideal storage conditions. Vegetables and/or fruits should not be stored in this compartment.

## Using the product

### 5.9. Using the second crisper of the product;



**Figure 1.**

As shown in the figure, there are 2 stoppers in the second crisper of K70560 model product.



**Figure 2.**

The second crisper looks like Figure 2 when closed.



**Figure 3.**

With the door is open 90°, pull the second crisper up to the first stopper as shown in Figure 3.

In the case that the drawer is more open, first of all, open the door by at least 135° degrees. After that, as shown in Figure 4, lift the second crisper for about 5 mm so that it is freed from the first stopper.



**Figure 4.**

After lifting, pull the second drawer up to the second stopper as shown in Figure 5.



**Figure 5.**

## Using the product

### 5.10. Moving door rack

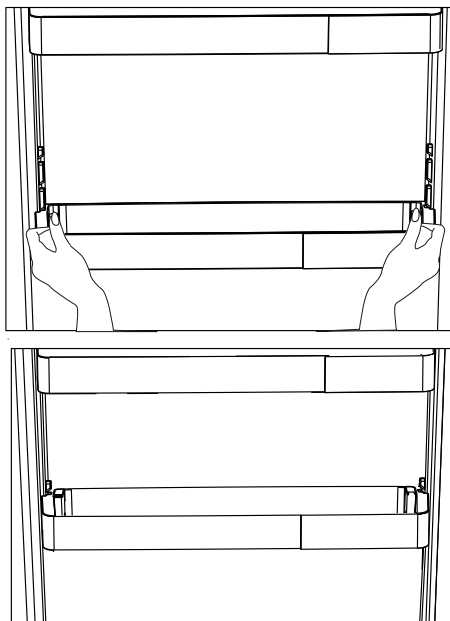
#### **\*optional**

Moving door rack can be fixed in 3 different positions.

In order to move the rack, push the buttons on the side evenly. Rack will be movable.

Move the rack up or down.

When the rack is in the position that you want, release the buttons. Rack will be fixed again in the position where you have released the buttons.

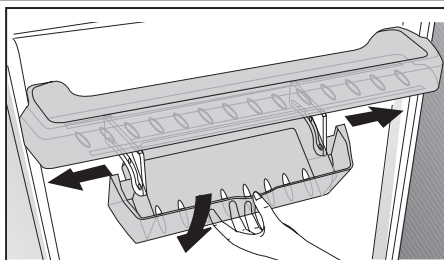


### 5.11. Sliding storage box

#### **\*optional**

This accessory has been designed to increase the usage volume of the door racks.

Thanks to its ability to move sideways, it enables you to easily place long bottle, jar or boxes that you put in the bottle rack below.



### 5.12. Deodoriser Module

#### **(FreshGuard) \*optional**

The deodoriser module quickly eliminates the bad smells in your refrigerator before they permeate the surfaces. Thanks to this module, which is placed on the ceiling of the fresh food compartment, the bad odours dissolve while the air is actively being passed on the odour filter, then the air that has been cleaned by the filter is re-emitted to the fresh food compartment. This way, the unwanted odours that may emerge during the storage of foods in the refrigerator are eliminated before they permeate the surfaces.

This is achieved thanks to the fan, LED and the odour filter integrated into the module. In daily use, the deodoriser module will turn on automatically on a periodic basis. To maintain efficient performance, it is recommended to have the filter in the deodoriser module by the authorised service provider every 5 years. Due to the fan integrated into the module, the noise you will hear during operation is normal. If you open the door of the fresh food compartment while the module is active, the fan will pause temporarily and resume where it has left off after some time the door is closed again. In case of power failure, the deodoriser module will resume where it has left off in the total operation duration once the power is back.

Info: It is recommended to store aromatic foods (such as cheese, olives and delicatessen foods) in their packaging and sealed to avoid bad odours that may result when smells of various foods get mixed. Besides, it is recommended to take spoiled foods out of the refrigerator quickly to prevent the other foods from getting spoiled and avoid bad odours.

## Using the product

### 5.13. Moisture controlled vegetable bin

#### \*optional

With moisture control feature, moisture rates of vegetables and fruits are kept under control and ensures a longer freshness period for foods.

It is recommended to store leafed vegetables such as lettuce and spinach and similar vegetables prone to moisture loss not on their roots but in horizontal position into the vegetable bin as much as possible.

When placing the vegetables, place heavy and hard vegetables at the bottom and light and soft ones on the top, taking into account the specific weights of vegetables.

Do not leave vegetables in the vegetable bin in plastic bags. Leaving them in plastic bags causes vegetables to rot in a short time. In situations where contact with other vegetables is not preferred, use packaging materials such as paper that has a certain porosity in terms of hygiene.

Do not put fruits that have a high ethylene gas production such as pear, apricot, peach and particularly apple in the same vegetable bin with other vegetables and fruits. The ethylene gas coming out of these fruits might cause other vegetables and fruits to mature faster and rot in a shorter period of time.

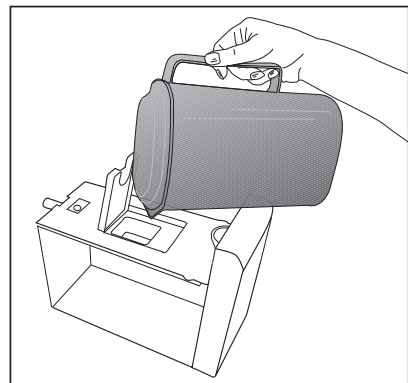
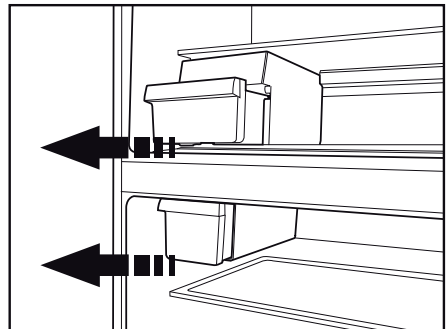
### 5.14. Automatic ice machine

#### \*optional

Automatic ice machine enables you to easily make ice in your refrigerator. In order to obtain ice from the ice machine, take out the water tank in the cooler compartment, fill it with water and fix it back. First ice will be ready in about 2 hours in the ice machine drawer in the cooler compartment. After placing the full water tank, you can obtain about 60-70 cubes of ice until it is fully empty. If the water in the tank has waited for 2-3 weeks, it should be changed.



In products with automatic ice machine, you might hear a sound when pouring the ice. This sound is normal and is not a sign of failure.



## Using the product

### 5.15. Icematic and ice storage container

**\*optional**

#### Using the Icematic

Fill the Icematic with water and place it into its seat. Your ice will be ready approximately in two hours. Do not remove the Icematic from its seating to take ice. Turn the knobs on the ice reservoirs clockwise by 90 degrees.

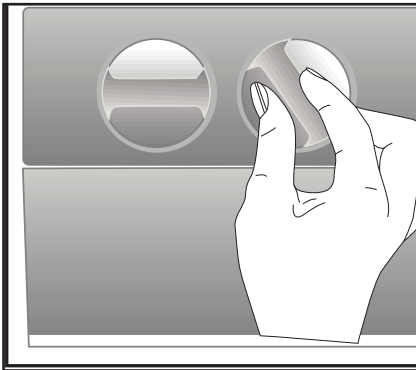
Ice cubes in the reservoirs will fall down into the ice storage container below.

You may take out the ice storage container and serve the ice cubes.

If you wish, you may keep the ice cubes in the ice storage container.

#### Ice storage container

Ice storage container is only intended for accumulating the ice cubes. Do not put water in it. Otherwise, it will break.



### 5.16. Using the water dispenser

**\*optional**

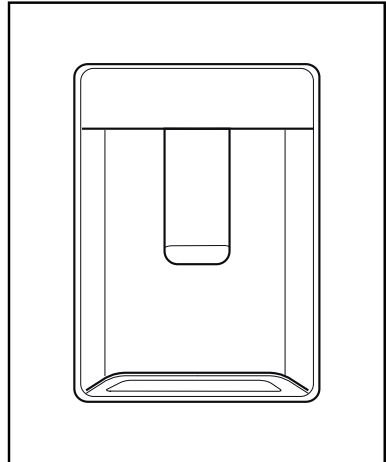


It is normal for the first few glasses of water taken from the dispenser to be warm.



If the water dispenser is not used for a long period of time, dispose of first few glasses of water to obtain fresh water.

1. Push in the lever of the water dispenser with your glass. If you are using a soft plastic cup, pushing the lever with your hand will be easier.
2. After filling the cup up to the level you want, release the lever.



Please note, how much water flows from the dispenser depends on how far you depress the lever. As the level of water in your cup / glass rises, gently reduce the amount of pressure on the lever to avoid overflow. If you slightly press the arm, the water will drip; this is quite normal and not a failure.

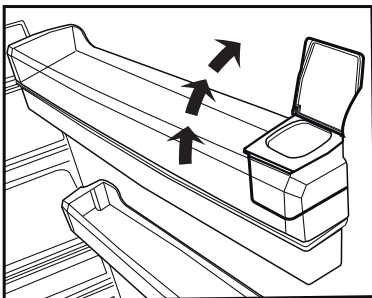
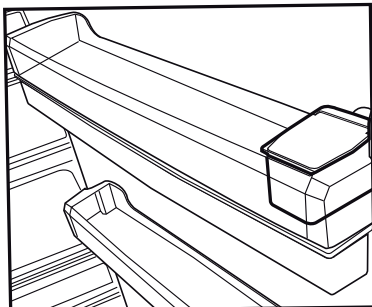


## Using the product

### 5.17. Filling the water dispenser's tank

Water tank filling reservoir is located inside the door rack.

1. Open the cover of the tank.
2. Fill the tank with fresh drinking water.
3. Close the cover.



Do not fill the water tank with any other liquid except for water such as fruit juices, carbonated beverages or alcoholic drinks which are not suitable to use in the water dispenser. Water dispenser will be irreparably damaged if these kinds of liquids are used. Warranty does not cover such usages. Some chemical substances and additives contained in these kinds of drinks/liquids may damage the water tank.



Use clean drinking water only.



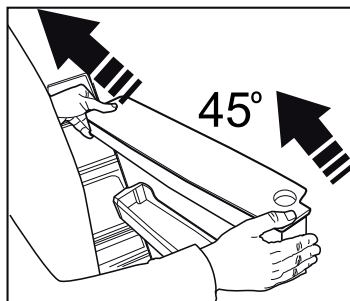
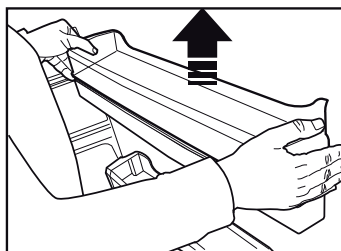
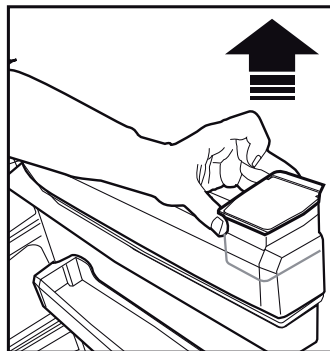
Capacity of the water tank is 3 litres; do not overfill.

### 5.18. Cleaning the water tank

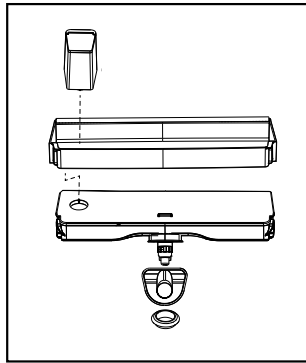
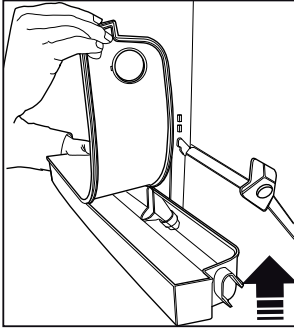
1. Remove the water filling reservoir inside the door rack.
2. Remove the door rack by holding from both sides.
3. Grab the water tank from both sides and remove it with an angle of 45°C.
4. Remove the cover of the water tank and clean the tank.



Components of the water tank and water dispenser should not be washed in dishwasher.



## Using the product

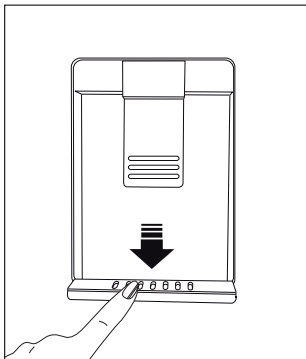


### 5.19. Drip tray

Water that dripped while using the water dispenser accumulates in the spillage tray.

Remove the plastic filter as shown in the figure.

With a clean and dry cloth, remove the water that has accumulated.



### 5.20. HerbBox/HerbFresh

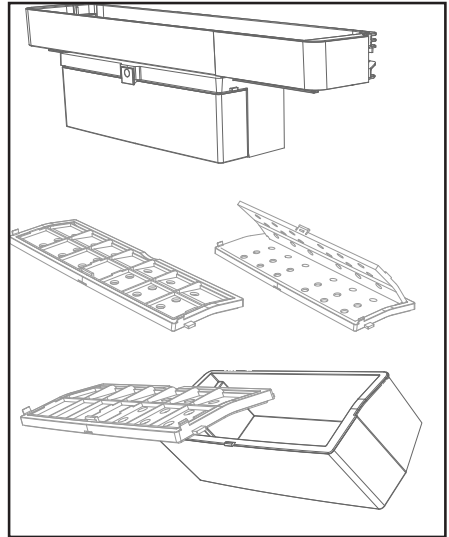
Remove the film container from HerbBox/HerbFresh+

Take the film out of the bag and put it into the film container as shown in the image.

Seal the container again and replace it into HerbBox/HerbFresh+ unit.

HerbBox-HerbFresh+ sections are especially ideal for storage of various herbs that are supposed to be kept in delicate conditions. You can store your unbagged herbs (parsley, dill, etc.) in this section horizontally and keep them fresh for a much longer period.

The film shall be replaced in every six months.



## Using the product

### 5.21. Freezing fresh food

- To preserve food quality, the food items placed in the freezer compartment must be frozen as quickly as possible, use the rapid freezing for this.
- Freezing the food items when fresh will extend the storage time in the freezer compartment.
- Pack the food items in air-tight packs and seal tightly.
- Make sure the food items are packed before putting in the freezer. Use freezer holders, tinfoil and damp-proof paper, plastic bag or similar packaging materials instead of traditional packaging paper.



Ice in the freezing compartment thaws automatically.

- Mark each food pack by writing the date on the package before freezing. This will allow you to determine the freshness of each pack every time the freezer is opened. Keep the earlier food items in the front to ensure they are used first.

- Frozen food items must be used immediately after defrosting and should not be frozen again.
- Do not freeze large quantities of food at once.

### 5.22. Recommendations for storing frozen foods

The compartment must be set to at least  $-18^{\circ}\text{C}$ .

1. Place the food items in the freezer as quickly as possible to avoid defrosting.
2. Before freezing, check the "Expiry Date" on the package to make sure it is not expired.
3. Make sure the food's packaging is not damaged.

| Freezer Compartment Temperature Setting | Cooler Compartment Temperature Setting | Details  |
|---|--|--|
| $-18^{\circ}\text{C}$                   | $4^{\circ}\text{C}$                    | This is the default, recommended setting.  |
| $-20, -22$ or $-24^{\circ}\text{C}$     | $4^{\circ}\text{C}$                    | These settings are recommended for ambient temperatures exceeding $30^{\circ}\text{C}$ .   |
| Quick Freeze                            | $4^{\circ}\text{C}$                    | Use when you want to freeze your food in a short time. When the process ends, the product will regain its position.                    |
| $-18^{\circ}\text{C}$ or colder         | $2^{\circ}\text{C}$                    | Use these settings if you believe the cooler compartment is not cold enough due to ambient temperature or frequently opening the door. |

## Using the product

### 5.23. Deep freezer details

As per the IEC 62552 standards, the freezer must have the capacity to freeze 4,5 kg of food items at -18°C or lower temperatures in 24 hours for each 100 litres of freezer compartment volume.

Food items can only be preserved for extended periods at or below temperature of -18°C .

You can keep the foods fresh for months (in deep freezer at or below temperatures of 18°C).

The food items to be frozen must not contact the already-frozen food inside to avoid partial defrosting.

Boil the vegetables and filter the water to extend the frozen storage time. Place the food in air-tight packages after filtering and place in the freezer.

Bananas, tomatoes, lettuce, celery, boiled eggs, potatoes and similar food items should not be frozen. In case this food rots, only nutritional values and eating qualities will be negatively affected. A rotting threatening human health is not in question.

### 5.24. Placing the food

|                                 |  |
|---------------------------------|--|
| Freezer compartment shelves     | Various frozen goods including meat, fish, ice cream, vegetables etc.        |
| Cooler compartment shelves      | Food items inside pots, capped plate and capped cases, eggs (in capped case) |
| Cooler compartment door shelves | Small and packed food or beverages   |
| Vegetable bin                   | Fruits and vegetables  |
| Fresh food compartment          | Delicatessen (breakfast food, meat products to be consumed in short notice)  |

### 5.25. Door open alert

#### (Optional)

An audible alert will be heard if the product's door remains open for at least 1 minute. The audible alert will stop when the door is closed or any button on the display (if available) is pressed.

Door open alert is indicated to the user both audibly and visually. Interior lighting will turn off if the warning continues for 10 min.

### 5.26. Changing the opening direction of the door

You can change the direction of opening of your refrigerator depending on the location where you use it. When you need this, consult the closest Authorized Service.

The explanation above is a general statement. You should check the warning tag located inside the product package about the changeability of direction of the door.

### 5.27. Interior light

Interior light uses a LED type lamp. Contact the authorized service for any problems with this lamp. Lamp(s) used in this appliance cannot be used for house lighting. Intended use of this lamp is to help the user place food into the refrigerator / freezer safely and comfortably.

### 5.28. Blue light/HarvestFresh

**\*May not be available in all models**

#### For the blue light,

Fruits and vegetables stored in the crispers that are illuminated with a blue light continue their photosynthesis by means of the wavelength effect of blue light and thus preserve their vitamin content.

#### For HarvestFresh,

Fruits and vegetables stored in crispers illuminated with the HarvestFresh technology preserve their vitamins for a longer time thanks to the blue, green, red lights and dark cycles, which simulate a day cycle. If you open the door of the refrigerator during the dark period of the HarvestFresh technology, the refrigerator will automatically detect this and enable the blue-green or red light to illuminate the crisper for your convenience. After you have closed the door of the refrigerator, the dark period will continue, representing the night time in a day cycle.

Service life of the product will extend and frequently encountered problems will decrease if the product is cleaned periodically.



**WARNING:** Switch off the product before cleaning.



**WARNING:** It is recommended to clean the condenser every six months using gloves. You must not use vacuum cleaners.

- Never use gasoline, benzene or similar substances for cleaning purposes.
- Never use any sharp abrasive instruments, soap, household cleaners, detergent or wax polish for cleaning.
- Dissolve one teaspoon of carbonate in half liter of water. Soak a cloth in the solution and wring it thoroughly. Wipe the interior of the refrigerator with this cloth and the dry thoroughly.
- Make sure that no water enters the lamp housing or other electrical parts.
- If you will not use the refrigerator for a long time, unplug it, remove all food inside, clean it and leave the door ajar.
- Check regularly that the door gaskets are clean. If not, clean them.
- Take out all items in the product to remove the door and body shelves.
- Remove the door shelves by pulling them up. Slide the shelves downwards to re-install them after cleaning.
- Never use chloric cleaning agents or water to clean outer surfaces or chrome-coated parts of the product. Chlorine causes abrasion on such metal surfaces.
- For non-No Frost products, water drops and frosting up to a fingerbreadth occur on the rear wall of the Fridge compartment. Do not clean it; never apply oil or similar agents on it.
- Only use slightly damp microfiber cloths to clean the outer surface of the product. Sponges and other types of cleaning cloths may scratch the surface.

### 6.1. Avoiding Bad Odours

Materials that may cause odour are not used in the production of our refrigerators. However, odour may be emitted if foods are stored improperly or if the inner surface of the product is not cleaned as required. Please consider the following to avoid this problem:

- It is important that the refrigerator is kept clean. Food residuals, stains, etc. can cause odour. For this reason, clean your refrigerator with carbonate solved in water every 15 days. Never use detergents or soap.
- Keep your foods in closed vessels. Microorganisms emitted from vessels without a cover may cause unpleasant odours.
- Never keep expired or spoiled foods in your refrigerator.

### 6.2. Protection of plastic surfaces

Do not put liquid oils or oil-cooked meals in your refrigerator in unsealed containers as they damage the plastic surfaces of your refrigerator. If oil is spilled or smeared onto the plastic surfaces, clean and rinse the relevant part of the surface with warm water immediately.

### 6.3. Cleaning the Inner Surface

To clean the inner surfaces and all removable parts, wash them with a mild solution comprising soap, water and carbonate. Rinse and dry thoroughly. Prevent the water from contacting the lighting means and control panel.



#### ATTENTION:

Do not use vinegar, rubbing alcohol or other alcohol-based cleaning agents on any of the inner surfaces.

### 6.4. Stainless Steel Outer Surfaces

Use a stainless steel cleaning agent that is non-abrasive and apply it with a lint-free, soft cloth. For polishing, wipe the surface softly with a damp microfiber cloth and use dry wash-leather. Always follow the strands of the stainless steel.

### 6.5. Cleaning Products with Glass Doors

Remove the protection foil on the glass.

There is a coating on the surface of the glass. This coating minimises stain formation and ensures that stains and dirt are cleaned easily. Glasses that are not protected by a coating might be exposed to permanent bonding of organic or inorganic, air or waterborne pollutants such as limescale, mineral salts, unburned hydrocarbons, metal oxides and silicones, which lead to stains and physical damage in a short time. Despite regular washing, the glass becomes very hard to keep clean, though not impossible. As a result, the clarity and good appearance of the glass reduces. Hard and abrasive cleaning compounds and methods increase these defects even further and accelerate the deterioration process.

\*Non-alkali, non-abrasive and water-based cleaning products must be used for routine cleaning procedures. For the coating to have long service life, alkali or abrasive substances must not be used during cleaning processes.

These glasses were subject to a tempering process to increase their impact and breakage resistance. As an additional safety measure, there is a safety film on the back surfaces of the glasses to ensure that they will not harm the environment in case of breakage.

Please review this list before calling the service. This will save you time and money. This list contains frequently encountered problems that are not results of faulty workmanship or material use. Your product may not have some of the features described here.

#### **The refrigerator is not operating.**

- It may not be plugged in properly. >>>Plug in the product properly.
- The fuse of the socket to which your refrigerator is connected or the main fuse may have blown. >>>Check the fuse.

#### **Condensation on the side wall of the fridge compartment (MULTI ZONE, COOL CONTROL and FLEXI ZONE).**

- The door may have been opened/closed frequently. >>>Do not open/close the refrigerator door frequently.
- The environment may be too humid. >>>Do not install the refrigerator at locations with a very high level of humidity.
- Foods containing liquid may have been placed into the refrigerator in vessels without covers. >>>Do not place foods containing liquid into the refrigerator in unsealed vessels.
- Door of the refrigerator may have been left ajar. >>>Do not keep the doors of your refrigerator open for a long time.
- The thermostat may have been set to a very cold level. >>>Set the thermostat to an appropriate level.

#### **The compressor is not operating.**

- Protective thermal of the compressor will blow out during sudden power failures or plug-out plug-ins as the refrigerant pressure in the cooling system of the refrigerator has not been balanced yet. The refrigerator will start running approximately after 6 minutes. Please call the Authorised Service Provider if the refrigerator does not start at the end of this period.
- The freezer is in defrosting cycle. >>>This is normal for a refrigerator that performs full-automatic defrosting. Defrosting cycle is performed periodically.
- The refrigerator may not be plugged in. >>>Make sure that the plug fits the socket.
- Temperature settings may be incorrect. >>>Select the correct temperature value.
- Possible power failure. >>>The refrigerator will start to operate normally when power restores.

#### **The operation noise increases when the refrigerator is running.**

- Operating performance of the refrigerator may vary based on the ambient temperature changes. This is normal and not a fault.

#### **The fridge is running frequently or for a long time.**

- Your new product may be bigger than the previous one. Larger refrigerators operate for a longer period of time.
- The room temperature may be high. >>> It is normal that the product operates for longer periods in hot environments.
- The refrigerator may have just been plugged in or loaded with food. >>>It takes the product longer to reach the set temperature when it has just been plugged in or loaded with food. This is normal.
- Large amounts of hot food may have been placed into the refrigerator recently. >>>Do not place hot foods into the refrigerator.
- The doors may have been opened frequently or left ajar for a long time. >>>The warm air that enters the refrigerator causes it to operate for a longer period of time. Do not open the doors frequently.
- Freezer or fridge compartment door may have been left ajar. >>> Check if the doors are closed completely.
- The appliance may be set to a very low temperature. >>> Set the refrigerator temperature to a warmer degree and wait until the product reaches this temperature.
- Door seal of the fridge or freezer compartment may be soiled, worn out, broken or not properly seated. >>> Clean or replace the seal. Damaged/broken seal causes the refrigerator to run for a longer period of time to maintain the current temperature.

#### **Fridge temperature is adequate but the freezer temperature is very low.**

- The freezer compartment temperature may be set to a very low value. >>> Set the freezer compartment temperature to a higher value and check.

#### **Freezer temperature is adequate but the fridge temperature is very low.**

- The fridge temperature is adjusted to a very low value. >>> Adjust the fridge temperature to a higher value and check.

# Troubleshooting

## Food kept in the fridge compartment drawers is frozen.

- The fridge compartment temperature may be set to a very high value. >>> Set the fridge compartment temperature to a lower value and check.

## Temperature in the fridge or freezer is very high.

- The fridge compartment temperature may be set to a very high value. >>> Fridge compartment temperature setting has an effect on the temperature of the freezer. Change the temperature of the fridge or freezer compartment until the fridge or freezer compartment temperature reaches an adequate level.
- The doors may have been opened frequently or left ajar for a long time. >>>Do not open the doors frequently.
- The door may have been left ajar. >>>Close the door completely.
- The refrigerator may have been just plugged in or loaded with food. >>>This is normal. It takes the product longer to reach the set temperature when it has just been plugged in or loaded with food.
- Large amounts of hot food may have been placed into the refrigerator recently. >>>Do not place hot foods into the refrigerator.

## Vibration or noise.

- The floor may not be stable or level. >>>If the refrigerator shakes when moved slightly, adjust the feet to balance it. Make sure that the floor is level and capable of carrying the refrigerator.
- Objects placed onto the refrigerator may cause noise. >>>Remove the objects on the refrigerator.

## There are noises coming from the refrigerator like liquid spilling or spraying.

- Liquid and gas flows occur in accordance with the operating principles of the refrigerator. >>>This is normal and not a fault.

## Whistle is heard from the refrigerator.

- There are fans that are used to cool the refrigerator. This is normal and not a fault.

## Damp accumulates on the inner walls of refrigerator.

- Hot and humid weather increases icing and condensation. This is normal and not a fault.
- The doors may have been opened frequently or left ajar for a long time. >>>Do not open the doors frequently. Close the doors, if open.
- The door may have been left ajar. >>>Close the door completely.

## Humidity occurs on the outer surface of the refrigerator or between the doors.

- Air might be humid. This is quite normal in humid weathers. >>>Condensation will disappear when the humidity level decreases.
- There might be external condensation at the section between two doors of the refrigerator if you use your product rarely. This is normal. Condensation will disappear upon frequent use.

## There is a bad odour inside the refrigerator.

- No regular cleaning may have been performed. Clean the inside of the refrigerator with a sponge, lukewarm water or carbonated water.
- Some vessels or packaging materials may cause the odour. >>>Use another vessel, or packaging materials from another brand.
- Foods may have been placed into the refrigerator in vessels without covers. >>>Store the foods in closed vessels. Microorganisms emitted from vessels without a cover may cause unpleasant odours.
- Take out expired or spoiled foods from the refrigerator.

## The door cannot be closed.

- Food packages may be preventing the door from closing. >>> Re-locate the packages that are obstructing the door.
- The refrigerator may be unstable on the floor. >>>Adjust the refrigerator feet as required to keep the refrigerator in balance.
- The floor may not be level or solid. >>>Make sure that the floor is level and capable of carrying the refrigerator.

## Crispers are stuck.

- Foods may be touching the upper wall of the crisper. >>>Re-organise the foods in the crisper.

## If The Surface Of The Product Is Hot.

High temperatures may be observed between the two doors, on the side panels and at the rear grill while the product is operating. This is normal and does not require service maintenance!

## Fan keeps running when the door is open.

The fan may keep running when the door of the freezer is open.



**WARNING:** If you cannot eliminate the problem although you follow the instructions in this section, consult your dealer or the Authorised Service Provider. Never attempt to repair a malfunctioned product.



Уважаемый покупатель,

Мы хотим, чтобы Вы извлекли максимальную пользу из нашей продукции, изготовленной с помощью современного оборудования в условиях тщательного контроля качества.

Для этого перед использованием полностью прочитайте руководство по эксплуатации устройства и сохраните руководство в качестве источника для справок. Если вы передадите устройство другому лицу, передайте вместе с ним и данное руководство.

### **Соблюдайте руководство по эксплуатации для быстрого и безопасного использования устройства.**

- Прочтите руководство по эксплуатации перед установкой и использованием устройства.
- Всегда соблюдайте соответствующие правила техники безопасности.
- Храните Руководство по эксплуатации под рукой для использования в будущем.
- Прочтите все другие документы, поставляемые с данным устройством.

Имейте в виду, что настоящее руководство по эксплуатации может применяться к нескольким моделям устройства. В руководстве ясно указаны все различия между разными моделями.

### **Символы и примечания**

**В руководстве по эксплуатации используются следующие символы:**

|   |   |
|---|---|
|   | Важная информация и полезные советы.  |
|   | Опасности для жизни и имущества.  |
|   | Опасность поражения электрическим током.  |
|  | Упаковка устройства изготовлена из вторсырья в соответствии с национальным законодательством об окружающей среде. |

|          |  |           |  |           |
|----------|--|-----------|--|-----------|
| <b>1</b> | <b>Указания по технике безопасности и защите окружающей среды</b>  | <b>3</b>  | 5.13. Льдогенератор «Icematic» и контейнер для хранения льда . . . . . | 19        |
| 1.1.     | Общие правила техники безопасности . . . . .   | 3         | 5.14. Дозатор для воды. . . . .  | 19        |
| 1.1.1    | Предупреждение об опасности для жизни . . . . .  | 6         | 5.15. Очистка бака для воды . . . . .                                  | 21        |
| 1.1.2    | Для моделей с фонтанчиком для питья . . . . .  | 6         | 5.16. Поддон для воды . . . . .  | 22        |
| 1.2.     | Использование по назначению . . . . .  | 6         | 5.17. Замораживание свежих продуктов . . . . .                         | 23        |
| 1.3.     | Безопасность детей . . . . .   | 7         | 5.18. Рекомендации для хранения замороженных продуктов . . . . .       | 23        |
| 1.4.     | Соответствие Директиве по утилизации отходов электрического и электронного оборудования (WEEE) и утилизация холодильника . . . . . | 7         | 5.19. Детальное описание процесса глубокого замораживания. . . . .     | 24        |
| 1.5.     | Соответствие Директиве ЕС по ограничению использования вредных веществ (RoHS) . . . . .  | 7         | 5.20. Размещение продуктов . . . . .                                   | 24        |
| 1.6.     | Информация об упаковке . . . . .   | 7         | 5.21. Сигнал открытой двери . . . . .                                  | 24        |
| <b>2</b> | <b>Приобретенный холодильник</b>   | <b>8</b>  | 5.22. Изменение направления открытия дверцы . . . . .                  | 24        |
| <b>3</b> | <b>Установка</b>   | <b>9</b>  | 5.23. Внутреннее освещение . . . . .                                   | 24        |
| 3.1.     | Выбор правильного места для установки . . . . .  | 9         | 5.24. Синяя подсветка/Технология HarvestFresh . . . . .                | 25        |
| 3.2.     | Установка пластиковых клиньев . . . . .  | 9         | <b>6 Уход и чистка</b>   | <b>26</b> |
| 3.3.     | Регулировка стоек . . . . .  | 9         | 6.1. Как избежать неприятных запахов . . . . .                         | 26        |
| 3.4.     | Подключение к электросети. . . . .   | 10        | 6.2. Защита пластиковых поверхностей . . . . .                         | 26        |
| <b>4</b> | <b>Подготовка</b>  | <b>11</b> | 6.3. Стеклоочистители дверок . . . . .                                 | 26        |
| 4.1.     | Как экономить электроэнергию . . . . .   | 11        | <b>6 Уход и чистка</b>   | <b>27</b> |
| 4.2.     | Первое включение . . . . .   | 12        | <b>7 Поиск и устранение неисправностей</b>                             | <b>28</b> |
| <b>5</b> | <b>Эксплуатация холодильника</b>   | <b>13</b> |  |           |
| 5.1.     | Кнопка настройки термостата . . . . .  | 13        |  |           |
| 5.2.     | Размораживание . . . . .   | 14        |  |           |
| 5.3.     | Емкость для льда . . . . .   | 15        |  |           |
| 5.4.     | Держатель для яиц . . . . .  | 15        |  |           |
| 5.5.     | Вентилятор . . . . .   | 15        |  |           |
| 5.6.     | Емкость для овощей . . . . .   | 16        |  |           |
| 5.7.     | Нулевая камера . . . . .   | 16        |  |           |
| 5.8.     | Выдвижной контейнер для хранения . . . . .   | 16        |  |           |
| 5.9.     | Подвижная дверная полка . . . . .  | 17        |  |           |
| 5.10.    | HerbBox/HerbFresh . . . . .  | 17        |  |           |
| 5.11.    | Сосуд для овощей с регулируемой влажностью. . . . .  | 18        |  |           |
| 5.12.    | Автоматический льдогенератор . . . . .   | 18        |  |           |

# 1 Указания по технике безопасности и защите окружающей среды

В этом разделе приведены указания по технике безопасности, соблюдение которых необходимо для предотвращения получения травм и материального ущерба. Несоблюдение этих указаний приведет к полному аннулированию гарантийных обязательств в отношении данного изделия.

## Использование по назначению

|  |  |
|--|--|
|    | <b>Внимание:</b> Во время хранения или установки устройства убедитесь в том, что его вентиляционные отверстия открыты.   |
|    | <b>Внимание:</b> Для ускорения процесса оттаивания льда не пользуйтесь какими-либо механическими устройствами или другими устройствами, за исключением рекомендуемых производителем. |
|    | <b>Внимание:</b> Не допускайте повреждения цепи хладагента.  |
|    | <b>Внимание:</b> Не пользуйтесь в отсеках для хранения продуктов питания устройства электрическими приборами, не рекомендуемыми изготовителем.                                       |
|  | <b>Внимание:</b> В холодильнике нельзя хранить взрывчатые вещества, такие как баллончики с воспламеняющимися сжатыми газами.   |

Это устройство разработано для использования в быту или подобных условиях

- Для использования на служебных кухнях магазинов, офисов и других рабочих мест;
- Для использования клиентами

в фермерских домах и отелях, мотелях и других гостиничных заведениях.

- в пансионатах;
- в других сферах применения, за исключением предприятий общественного питания и розничной торговли.

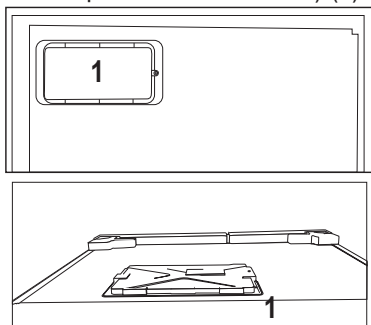
## 1.1. Общие правила техники безопасности

- К эксплуатации холодильника не должны допускаться люди с физическими, сенсорными и психическими отклонениями без наличия навыков и опыта обращения с подобными приборами, а также дети. Эксплуатация холодильника такими людьми должна проводиться только под наблюдением лица, ответственного за их безопасность, после проведения соответствующего инструктажа. Не разрешайте детям играть с холодильником.
- В случае ненормальной работы холодильника отключите его от электрической сети (вытащите штепсельную вилку шнура питания из розетки).
- После извлечения вилки питания из розетки подождите не менее 5 минут, прежде чем вставлять ее снова.
- Отключайте холодильник от сети электропитания, когда он не используется.
- Не прикасайтесь к штепсельной вилке шнура питания влажными руками! Не дергайте за кабель, чтобы вытащить штепсельную вилку. Всегда беритесь за корпус штепсельной вилки.
- Не вставляйте вилку питания

## Указания по безопасности и охране окружающей среды

холодильника в разболтанную розетку (в которой вилка держится плохо).

- Необходимо отключать холодильник от электросети во время установки, технического обслуживания, очистки и ремонта.
- Если холодильник не будет эксплуатироваться некоторое время, отсоедините его вилку питания от розетки и уберите из него все продукты.
- Запрещается эксплуатация холодильника при открытом отсеке с печатными платами, расположенном вверху в задней части холодильника (крышка отсека с электрическими платами) (1).



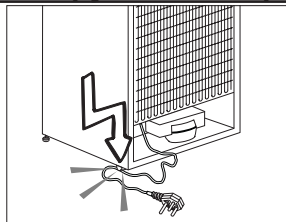
- Не используйте парогенераторы и парообразные очищающие материалы для очистки холодильника и плавления образовавшегося внутри льда. Пар может попасть в зоны с электрооборудованием и привести к короткому замыканию электрических цепей или к поражению электрическим током.
- Не выполняйте очистку холодильника распыляя или

выливая на него воду! Опасность поражения электрическим током!

- В случае возникновения неисправности прекратите эксплуатацию электроприбора, так как это может привести к поражению электрическим током. Прежде чем выполнить какие-либо действия, обратитесь в авторизованный сервисный центр.
- Подключайте холодильник к розетке с заземлением. Заземление цепи питания должно быть выполнено квалифицированным электриком.
- Если в холодильнике используется светодиодное освещение, в случае возникновения каких-либо проблем или для замены освещения обращайтесь в авторизованный сервисный центр.
- Не прикасайтесь к замороженным продуктам влажными руками! Руки могут примерзнуть!
- Не помещайте жидкости в бутылках и банках в морозильную камеру. Их может разорвать!
- Помещайте жидкости в вертикальном положении с плотно закрытой крышкой.
- Не распыляйте воспламеняемые вещества рядом с холодильником, так как они могут воспламениться или взорваться.
- Запрещается хранить воспламеняемые вещества и предметы с воспламеняемым газом (аэрозоли и т.п.) в холодильнике.

## Указания по безопасности и охране окружающей среды

- Не ставьте сосуды с жидкостью на холодильник. Пролив воды на детали под напряжением может привести к поражению электрическим током или к опасности возгорания.
- Воздействие дождя, снега, солнечных лучей или ветра может привести к поражению электрическим током. При перестановке холодильника не переносите его за дверную ручку. Ручка может оторваться.
- Соблюдайте осторожность, чтобы не защемить руки или части тела в движущихся частях внутри холодильника.
- Не поднимайтесь и не облокачивайтесь на дверь, ящики и другие части холодильника. Это может привести к опрокидыванию холодильника и повреждению деталей.
- Соблюдайте осторожность, чтобы не запутаться в шнуре питания.
- При расположении прибора, необходимо удостовериться, что шнур питания не поврежден и не спутан.
- Не размещать многоместные розетки, либо переносные источники питания на задней части прибора.



- Детям в возрасте от 3 до 8 лет разрешено загружать и разгружать холодильник.
- Чтобы избежать загрязнения пищевых продуктов, необходимо соблюдать следующие инструкции:
  - – Открытие дверей на длительный период может привести к существенному повышению температуры в отделениях прибора.
  - – Необходимо проводить регулярную очистку поверхностей, вступающих в контакт с пищевыми продуктами, а также доступных дренажных систем.
  - - Необходимо проводить очистку баков для воды, если они не использовались более 48 часов, промыть систему подачу воды проточной водой если система не использовалась более 5 дней.
  - - Рыбу и мясо необходимо хранить в специальных контейнерах холодильника, чтобы эти продукты не вступали в контакт с другими пищевыми продуктами.
  - - Морозильные отделения, обозначенные 2 звездочками, подходят для хранения предварительно замороженных продуктов, а также хранения или изготовления мороженого и приготовления кубиков льда.
  - - Морозильные отделения,

## Указания по безопасности и охране окружающей среды

обозначенные одной, двумя и тремя звездочками не предназначены для замораживания свежих продуктов.

- - Если холодильник остается незаполненным длительное время, его необходимо отключить, разморозить, помыть, высушить и оставить дверь открытой, чтобы предотвратить возникновение грибка внутри прибора.

### 1.1.1 Предупреждение об опасности для жизни

Если в холодильнике используется охлаждающая система, работающая на газе-хладагенте R600a, не допускайте повреждения системы охлаждения и ее трубок в процессе эксплуатации и перемещения холодильника. Этот хладагент огнеопасен. В случае повреждения системы охлаждения отодвиньте холодильник от источника огня и немедленно проветрите помещение.



На этикетке на боковой внутренней поверхности холодильника слева указан тип используемого в холодильнике газа-хладагента.

### 1.1.2 Для моделей с фонтанчиком для питья

- Давление холодной воды на входе должно составлять максимум 90 фунтов на квадратный дюйм (620 kPa). Если давление воды будет превышать 80 фунтов на квадратный дюйм (550 kPa), следует использовать для водопроводной системы клапан

ограничения давления. Если Вы не знаете, как проверить давление воды, обратитесь за помощью к профессиональному сантехнику. Если во время установки существует риск гидравлического удара, всегда используйте оборудование для предотвращения гидроудара. Если Вы не уверены в отсутствии риска гидроудара, обратитесь к профессиональным сантехникам.

- Не устанавливайте на входе горячей воды. Следует предпринять необходимые меры предосторожности для предотвращения риска замерзания шлангов. Рабочий интервал температур воды будет составлять не менее 33°F (0,6°C) и не более 100°F (38°C).
- Используйте только питьевую воду.

### 1.2. Использование по назначению

- Холодильник предназначен для бытового использования. Холодильник не предназначен для использования в коммерческих целях.
- Холодильник предназначен только для хранения еды и напитков.
- Не храните в холодильнике вещества, которые должны храниться строго при определенной температуре (вакцины, чувствительные к условиям хранения, медикаменты, медицинские препараты и т.п.).
- Изготовитель холодильника

## Указания по безопасности и охране окружающей среды

не несет ответственности за ущерб, связанный с неправильной эксплуатацией холодильника или его использованием по назначению.

- Оригинальные запасные части будут предоставлены в течение 10 лет с момента покупки изделия.
- Безопасность детей
- Упаковочные материалы храните в недоступном для детей месте.
- Не разрешайте детям играть с холодильником.
- Если дверь холодильника оснащена замком, держите ключ вне зоны доступа детей.

### 1.3. Безопасность детей

- Если на дверце есть замок, ключ следует хранить в недоступном для детей месте.
- Следует присматривать за детьми и не разрешать им портить холодильник.

### 1.4. Соответствие Директиве по утилизации отходов электрического и электронного оборудования (WEEE) и утилизация холодильника

Изделие соответствует требованиям Директивы по утилизации отходов электрического и электронного оборудования Европейского Союза (2012/19/ЕС). Данное изделие имеет маркировку, указывающую на утилизацию его как электрического и электронного оборудования (WEEE).



Это изделие произведено из высококачественных деталей и материалов, которые подлежат повторному использованию и переработке. Поэтому не  
Холодильник / Руководство по эксплуатации

выбрасывайте изделие с обычными бытовыми отходами после завершения его эксплуатации. Его следует сдать в соответствующий центр по утилизации электрического и электронного оборудования. О местонахождении таких центров вы можете узнать в местных органах власти.

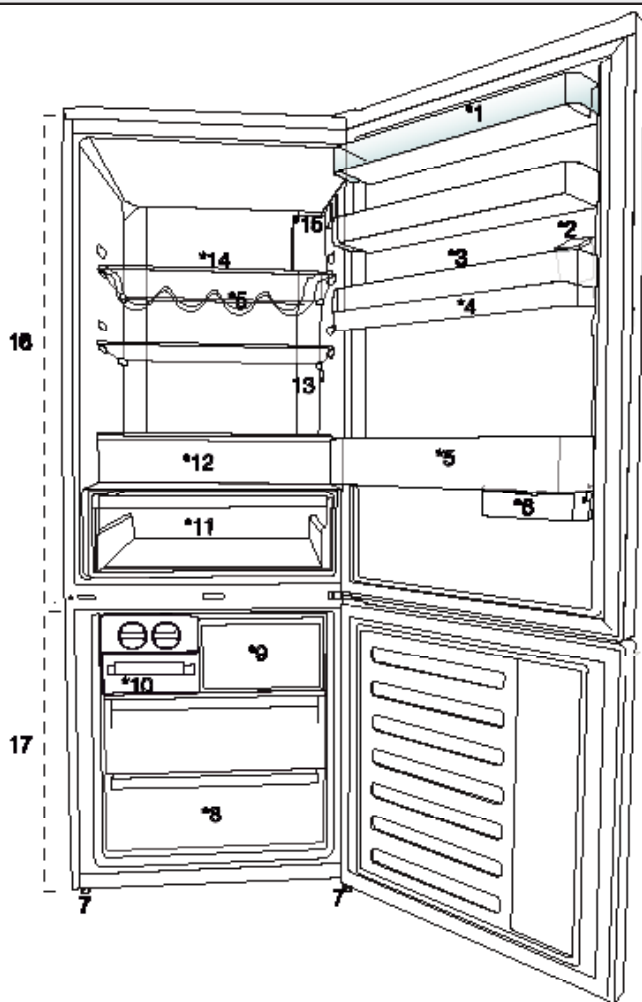
### 1.5. Соответствие Директиве ЕС по ограничению использования вредных веществ (RoHS)

- Изделие соответствует требованиям Директивы по утилизации отходов электрического и электронного оборудования Европейского Союза (2011/65/EU). Оно не содержит вредных и запрещенных материалов, указанных в Директиве.

### 1.6. Информация об упаковке

- Упаковка изделия изготовлена из материалов, подлежащих вторичной переработке, в соответствии с местными нормативами и правилами касательно защиты окружающей среды. Не утилизируйте упаковочные материалы вместе с бытовыми или другими отходами. Отнесите их в один из пунктов приема упаковочных материалов, назначенных местными органами власти.

## 2 Приобретенный холодильник



1. Полка в дверце холодильной камеры
2. Контейнер для заполнения раздатчика охлажденной воды
3. Лоток для яиц
4. Бак раздатчика охлажденной воды
5. Полка для бутылок
6. Выдвижной контейнер для хранения
7. Регулируемые ножки
8. Камера глубокого замораживания
9. Камера быстрого замораживания
10. Ящичек для льда и намораживаемый запас льда
11. Емкость для овощей
12. Отсек с нулевой температурой
13. Внутреннее освещение
14. Стеклопанельная полка в дверце холодильной камеры
15. Кнопка настройки температуры
16. Холодильное отделение
17. Морозильное отделение



**\*в зависимости от модели:** Изображения, приведенные в настоящем руководстве, предоставлены в качестве примеров изображений и могут полностью не соответствовать приобретенному изделию. Если в вашем устройстве отсутствуют указанные компоненты, информация относится к другим моделям.



## 3 Установка

### 3.1. Выбор правильного места для установки

Для установки устройства обратитесь в авторизованную сервисную службу.

Для подготовки устройства к установке ознакомьтесь с руководством по эксплуатации и убедитесь, что к месту установки подведены необходимые коммуникации – электричество и вода. При отсутствии таковых обратитесь к электрику и водопроводчику для подведения необходимых коммуникаций.



**ВНИМАНИЕ:** Производитель не несет ответственности за любые повреждения, возникшие в результате выполнения работ лицами, которые не имеют на это разрешения.



**ВНИМАНИЕ:** При установке кабель питания устройства должен быть отключен от электросети. Невыполнение этого указания может привести к смерти или серьезному травматизму.



**ВНИМАНИЕ:** Если пролет двери слишком узкий для прохождения устройства, следует снять дверь и вносить холодильник боком; при невозможности выполнить это действие обратитесь в авторизованную сервисную службу.

- Во избежание вибрации устройство следует устанавливать на плоской поверхности.
- Холодильник должен стоять не ближе 30 см от нагревательного прибора, газовой печи и подобных источников тепла, а также не ближе 5 см от электродуховок.
- Устройство не должно подвергаться воздействию прямых солнечных лучей или находиться во влажной среде.
- Для правильной работы устройства необходимо обеспечить достаточную циркуляцию воздуха.
- Для эффективной работы вашего изделия необходима достаточная циркуляция воздуха. При установке изделия в нише необходимо обеспечить зазор не менее 5 см между изделием, потолком, задней и боковыми стенами.

При установке изделия в нише необходимо обеспечить зазор не менее 5 см между изделием, потолком, задней и боковыми стенами. Убедитесь, что защитный элемент зазора у задней стены установлен в предназначенное для него место (если он входит в комплектацию изделия). Если элемент отсутствует, утерян или отломан, изделие необходимо устанавливать таким образом, чтобы между его задней поверхностью и стеной помещения оставался зазор не менее 5 см. Зазор у задней стены необходим для эффективной работы изделия.

- Не устанавливайте устройство в среде с температурой ниже  $-5^{\circ}\text{C}$ .

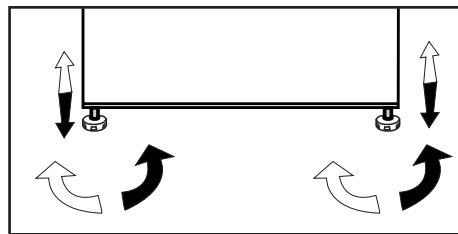
### 3.2. Установка пластиковых клиньев

Чтобы обеспечить достаточно пространства для циркуляции воздуха между устройством и стеной, следует использовать пластиковые клинья.

1. Чтобы присоединить клинья, извлеките винты из устройства, и используйте винты, идущие в комплекте с клиньями.
2. Присоедините два пластиковых клина к вентиляционной крышке, как показано на рисунке.

### 3.3. Регулировка стоек

Если продукт находится в неуравновешенном состоянии, следует отрегулировать стойки путем вращения их вправо и влево.



### 3.4. Подключение к электросети



**ВНИМАНИЕ:** При подключении устройства к электросети запрещается использовать удлинители или многорозеточные переходники.



**ВНИМАНИЕ:** Поврежденный кабель питания заменяет авторизованная сервисная служба.



При установке двух холодильников рядом, расстояние между двумя устройствами должно быть не менее 4 см.

- Наша компания не несет ответственности за какие-либо повреждения, возникшие в результате использования устройства без заземления и невыполнения национальных норм при подключении холодильника к электросети.
- После установки устройства к кабелю питания должен быть обеспечен легкий доступ.
- Холодильник следует подключить к заземленному гнезду с напряжением 220-240 В/50 Гц. В вилке должен быть установлен предохранитель на 10-16 А.
- Между розеткой на стене и холодильником запрещается использовать многоконтактный переходник с удлинительным кабелем или без него.



Предупреждение о наличии горячей поверхности  
Боковые стенки изделия оснащены трубопроводами хладагента для улучшения работы системы охлаждения. При высокой температуре хладагент может протекать через данные места, resulting в результате чего боковые стенки сильно нагреваются. Это нормальное явление, и обслуживание в этом случае не требуется. Пожалуйста, соблюдайте осторожность при прикосновении к данным участкам.

### 4.1. Как экономить электроэнергию



Не рекомендуется подключать устройство к энергосберегающим системам, поскольку это может привести к его поломке.

- Не держите дверцы холодильника открытыми на протяжении длительного времени.
- Не ставьте горячую еду или напитки в холодильник.
- Не перегружайте холодильник - затруднение внутреннего воздухооборота снизит его охлаждательную способность.
- Для обеспечения хранения максимального объема продуктов в холодильной камере холодильника, необходимо извлечь верхние ящики и разместить продукты на стеклянной полке. Гарантированный уровень энергопотребления холодильника обеспечивается при извлечении охлаждающей камеры, формы для льда и верхних ящиков и, таким образом, освобождении максимального пространства для хранения продуктов. Настоятельно рекомендуется использовать нижний ящик для хранения продуктов. Для обеспечения оптимального уровня энергопотребления необходимо включить режим энергосбережения.
- Не храните продукты перед вентилятором камеры охлаждения. При размещении продуктов необходимо оставить расстояние не менее 3 см перед защитным проводом вентилятора.
- Так как горячий и влажный воздух не сможет напрямую проникнуть в изделие, если его двери закрыты, изделие оптимизируется под условия, необходимые для защиты продуктов питания. В этой функции энергосбережения функции и компоненты, такие как компрессор, вентилятор, обогреватель, размораживание, освещение, дисплей и т.д., будут работать в соответствии с потребностями в минимальном потреблении энергии сохранения свежести продуктов.
- В зависимости от характеристик устройства, размораживание пищевых продуктов в холодильной камере обеспечит экономию электроэнергии и сохранит качество

продуктов.

- Для обеспечения экономии энергии и лучших условий хранения продуктов используйте ящики холодильной камеры.
- Следует обеспечить, чтобы пакеты с продуктами не касались датчика температуры, расположенного в холодильной камере. В случае, если они касаются датчика, уровень потребления энергии устройством может возрасти.
- Следите, чтобы продукты не прикасались к датчику температуры холодильной камеры, описанному ниже.

## 4.2. Первое включение

Перед тем, как использовать холодильник, убедитесь, что все подготовительные работы выполнены в соответствии с рекомендациями в разделах «Инструкции по охране труда и окружающей среды» и «Установка».

- Включите устройство и оставьте работать в течение 6 часов. Не кладите в него еду и не открывайте дверцу без крайней необходимости.



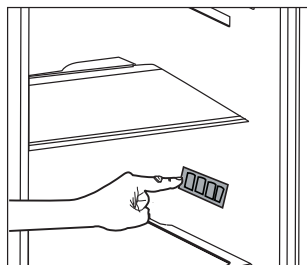
При включении компрессора вы услышите звук. В нормальном режиме работы звук слышен, даже когда компрессор не работает — это связано с наличием жидкостей и газов в системе охлаждения.



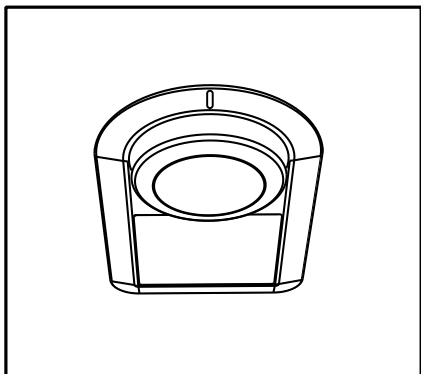
Торцы изделия могут нагреваться. Это нормальное состояние. Они специально подогреваются, чтобы предотвратить образование конденсата.



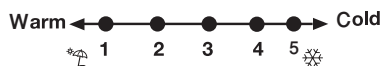
В некоторых моделях индикаторная панель автоматически выключается через 5 минут после закрытия дверцы. Она включается снова при открытии дверцы или нажатии любой кнопки.



## 5 Эксплуатация холодильника



Рабочая температура устанавливается органами управления.



**1=Нижняя граница охлаждения (самая высокая температура).**

**4=Верхняя граница охлаждения (самая низкая температура).**

Средняя температура в холодильнике должна быть около  $+5^{\circ}\text{C}$ .

Установите значение, соответствующее нужной температуре.

Имейте в виду, что в области охлаждения будут разные температуры.

Самая холодная область располагается непосредственно над контейнером для овощей и фруктов.

Температура внутри холодильника также зависит от температуры окружающей среды, частоты открывания дверцы и количества хранимых продуктов.

Частое открывание дверцы ведет к повышению температуры внутри холодильника.

По этой причине рекомендуется как можно скорее закрывать дверцу по минованию надобности.

### 5.1. Кнопка настройки термостата

Температура внутри холодильника изменяется по следующим причинам:

- Сезонные изменения температуры;
- Частое открывание дверцы и дверца, оставленная открытой на долгое время;
- Помещение продуктов в холодильник без предварительного охлаждения до комнатной температуры;
- Расположение холодильника в помещении (например, в местах, освещенных солнечным светом).
- При изменении внутренней температуры по таким причинам можно отрегулировать ее с помощью термостата. Цифры на регуляторе термостата означают степень охлаждения.



**\*В зависимости от модели:** Рисунки в данном руководстве по эксплуатации могут не полностью соответствовать характеристикам вашего устройства. Если в вашем устройстве нет соответствующих деталей, информация относится к другим моделям.

## Эксплуатация устройства

- Если температура окружающей среды превышает  $32^{\circ}\text{C}$ , установите регулятор термостата в положение максимального охлаждения.
- Если температура окружающей среды ниже  $25^{\circ}\text{C}$ , установите регулятор термостата в положение минимального охлаждения.

### 5.2. Размораживание

#### Холодильная камера

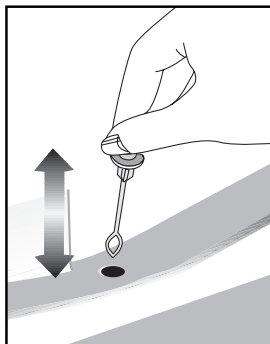
Холодильная камера размораживается автоматически. Во время работы холодильника стекающие капли воды могут образовать на задней стенке холодильной камеры слой наледи толщиной до 7-8 мм. Такая наледь является обычным явлением, которое связано с особенностями работы системы охлаждения. Эта наледь периодически удаляется с помощью системы автоматического размораживания, которая находится на задней стенке холодильника. Пользователю не нужно самому счищать лед или вытирать капли воды.

Талая вода, которая образуется при размораживании, стекает по желобу в сливную трубку, попадает на испаритель и там испаряется.

Автоматическое размораживание морозильной камеры не предусмотрено, так как это может привести к порче замороженных продуктов.

Морозильное отделение размораживается автоматически.

Регулярно проверяйте, не засорилась ли сливная трубка, и при необходимости прочищайте ее палочкой через сливное отверстие.

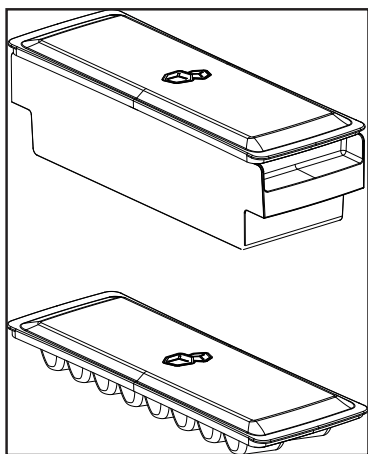


## Эксплуатация устройства

### 5.3. Емкость для льда

(в зависимости от модели)

- Вытяните емкость для льда из морозильной камеры.
- Заполните емкость для льда водой.
- Поставьте емкость для льда в морозильную камеру.
- Лед будет готов примерно через два часа. Вытяните емкость для льда из морозильной камеры и слегка согните ее над посудиной, которую вы собираетесь наполнить льдом. Лед без труда пересыплется в наполняемую емкость.



### 5.4. Держатель для яиц

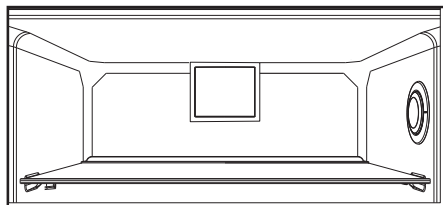
По вашему выбору держатель для яиц можно разместить в двери или на решетчатой подставке. Если вы решили разместить его на решетчатой подставке, для поддержания более низкой температуры хранения рекомендуется выбирать нижние полки.



Не ставьте держатель для яиц в морозильную камеру.

### 5.5. Вентилятор

Вентилятор предназначен для однородного распространения циркулирующего холодного воздуха внутри холодильника. Время работы вентилятора может изменяться в зависимости от конкретных характеристик приобретенного изделия. В то время, как в некоторых моделях вентилятор включается только вместе с компрессором, в других - время его включения определяется системой управления на основании необходимости охлаждения.



## Эксплуатация устройства

### 5.6. Емкость для овощей

(в зависимости от модели)

Емкость для овощей, которая используется в изделии, предназначена для содержания овощей свежими путем сохранения в них содержания влаги. С этой целью усиливается общая циркуляция холодного воздуха в сосуде для овощей.

### 5.7. Нулевая камера

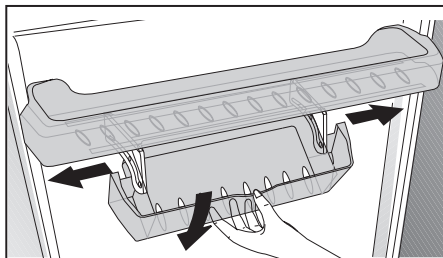
(в зависимости от модели)

Используйте этот отсек для хранения гастрономических продуктов при более низких температурах или мясных продуктов, предназначенных для немедленного потребления. Нулевая камера является наиболее холодным местом, где в идеальных условиях могут храниться такие виды продуктов, как молочные продукты, мясо, рыба и курица. Эта камера не подходит для хранения овощей и/или фруктов.

### 5.8. Выдвижной контейнер для хранения

(в зависимости от модели)

Данное вспомогательное приспособление предназначено для увеличения используемого объема дверных полок. Благодаря способности контейнера перемещаться в боковом направлении, в нем можно легко размещать длинные бутылки, банки или контейнеры, хранящиеся на полке для бутылок, расположенной ниже.





## Эксплуатация устройства

### 5.9. Подвижная дверная полка (в зависимости от модели)

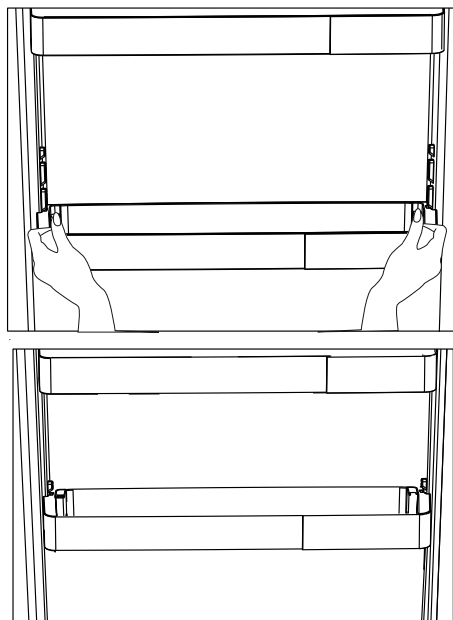
Подвижная дверная полка может быть установлена в 3 различных положениях.

С целью перемещения полки равномерно нажмите кнопки на боковой поверхности. После этого полку можно перемещать.

Переместите полку вверх либо вниз.

После того, как полка установится в желаемое положение, отпустите кнопки.

Полка зафиксируется в положении, в котором она находилась в тот момент, когда вы отпустили кнопки.



### 5.10. HerbBox/HerbFresh

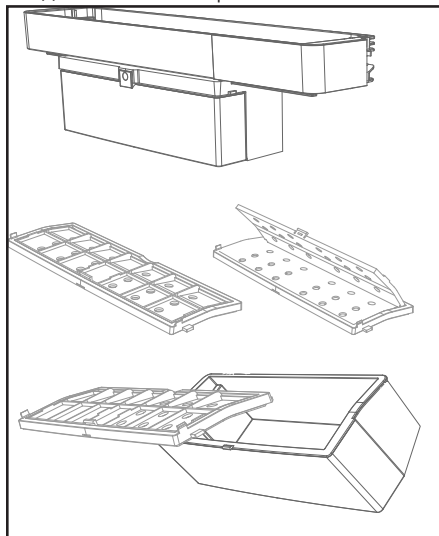
Снимите с HerbBox/HerbFresh+ коробку для пленки.

Извлеките пленку из пакета и поместите ее в коробку для пленки, как показано на рисунке.

Снова плотно закройте коробку и поместите ее в устройство HerbBox/HerbFresh+.

Секции HerbBox-HerbFresh+ особенно идеально подходят для хранения различных трав, которые необходимо хранить в деликатных условиях. Вы можете хранить в этой секции травы без пакета (петрушку, укроп и т.д.) в горизонтальном положении и сохранять их свежими намного дольше.

Замена пленки должна производиться каждые шесть месяцев.



## Эксплуатация устройства

### 5.11. Сосуд для овощей с регулируемой влажностью

(в зависимости от модели)

В режиме регулирования влажности уровни насыщенности овощей и фруктов влагой находятся под контролем, чем обеспечивается более длительный срок свежести продуктов, хранящихся в холодильнике.

Рекомендуется, по возможности, сохранять листовые овощи, например, салат, шпинат и подобные им виды овощей, которые быстро теряют влагу, не в вертикальном положении корнями вниз, а в горизонтальном положении в сосуде для овощей.

При размещении овощей учитывайте конкретный вес каждого из видов: тяжелые и твердые овощи кладите на дно сосуда, а легкие и мягкие — сверху.

Не размещайте в сосуде для овощей запакованные в полиэтилен овощи. В случае хранения овощей в полиэтиленовых пакетах они очень быстро загнивают. В ситуациях, когда следует избегать контакта с другими овощами, используйте такие упаковочные материалы, как бумага, отличающаяся определенной проницаемостью, что удовлетворительно с точки зрения гигиены.

Не храните фрукты, которые выделяют газ с высоким содержанием этилена, например, груши, абрикосы, персики и особенно яблоки, в одном сосуде для овощей вместе с другими видами овощей и фруктов. Газ этилен, выделяемый этими фруктами, может вызвать ускоренное созревание других овощей и фруктов и их загнивание в течение более короткого периода времени.

### 5.12. Автоматический льдогенератор

(в зависимости от модели)

Автоматический льдогенератор позволяет легко и просто делать лед в холодильнике. Для того, чтобы получить лед с помощью льдогенератора, вытащите емкость для воды из холодильной камеры, заполнить ее водой и вставьте на место.

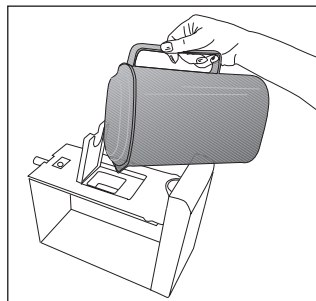
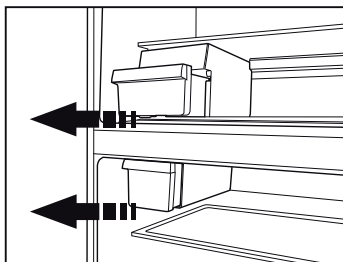
Первые кубики льда в ящике льдогенератора, расположенном в морозильной камере, образуются приблизительно через 2 часа.

В период времени от размещения полной емкости для воды и до ее полного опорожнения образуется около 60-70 кубиков льда.

Если вода в емкости для воды хранится в течение 2-3 недель, ее следует заменить.



В изделиях с автоматическим льдогенератором слышен звук падающего льда. Этот звук является нормальным и не свидетельствует о неисправности.



## Эксплуатация устройства

### 5.13. Льдогенератор «Icematic» и контейнер для хранения льда

\*в зависимости от модели

#### Использование льдогенератора «Icematic»

Наполните льдогенератор «Icematic» водой и поместите его на место. Лед будет готов приблизительно через два часа. Для того, чтобы вытащить лед, не вынимайте льдогенератор «Icematic» из его посадочного места.

Поверните ручки на емкостях для льда по часовой стрелке на 90 градусов.

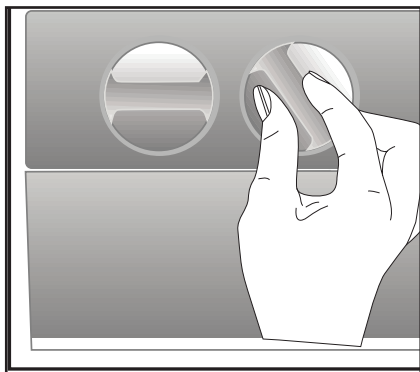
Кубики льда ссыплются в контейнер для хранения льда, расположенный ниже.

Чтобы использовать кубики льда, вытащите контейнер для хранения льда.

При желании можно хранить кубики льда в контейнере для хранения льда.

#### Контейнер для хранения льда

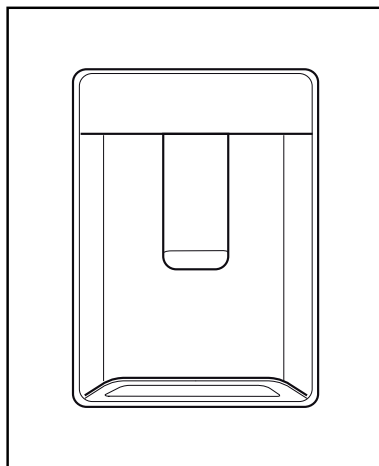
Контейнер для хранения льда предназначен только для накопления кубиков льда. Не наливайте в него воду. В противном случае он треснет.



### 5.14. Дозатор для воды

(в некоторых моделях)

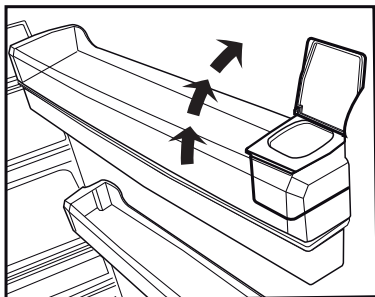
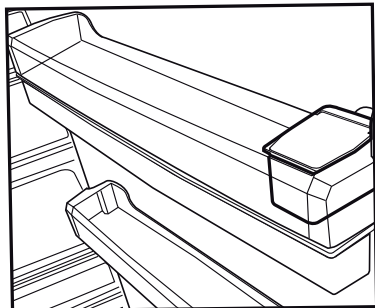
Раздатчик охлажденной воды – очень полезное устройство, позволяющее получать охлажденную воду без открывания дверцы холодильника. Поскольку дверцы холодильника будут открываться реже, это поможет сэкономить энергию.



#### Пользование краном подачи воды

Нажмите на рычаг раздатчика охлажденной воды стаканом. Раздатчик прекратит работать, как только вы освободите рычаг. Максимальный поток достигается нажатием на рычаг до упора. Помните, что сила потока из раздатчика охлажденной воды зависит от силы давления на рычаг. По мере заполнения чашки/стакана постепенно уменьшайте степень нажатия рычага, чтобы избежать переливания воды. Если нажать на рычаг несильно, вода будет течь каплями; это вполне нормально и не является признаком неисправности.

## Эксплуатация устройства



### Заполнение бака раздатчика охлажденной воды

Емкость заполнения бака для воды находится в дверной полке. Откройте крышку емкости для воды и наполните емкость чистой питьевой водой. Затем закройте крышку.

#### Внимание!

• Не заливаете в бак для воды никаких иных жидкостей, кроме питьевой воды. Такие жидкости, как фруктовые соки, газированные и спиртные напитки, не годятся для использования в раздатчике охлажденной воды. Использование подобных жидкостей приведет к неисправности раздатчика охлажденной воды и может вывести его из строя без возможности ремонта. Гарантия на повреждение, вызванные подобным использованием, не распространяется.

Некоторые химические компоненты или добавки в таких напитках могут вступать в реакцию и разрушать материал бака для воды.

- Используйте только свежую чистую питьевую воду.
- Емкость бака для воды 3 литра. Не переполняйте его.
- Нажмите на рычаг раздатчика охлажденной воды стаканом. При использовании мягкого одноразового стаканчика нажмите на рычаг пальцами за стаканчиком.

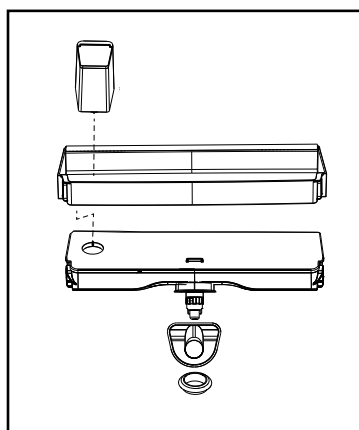
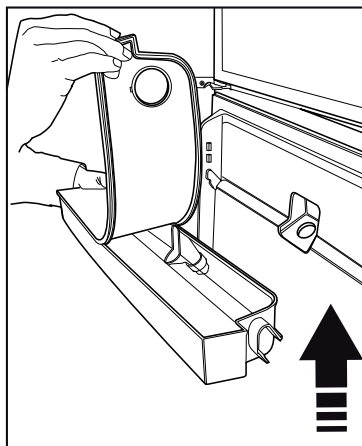
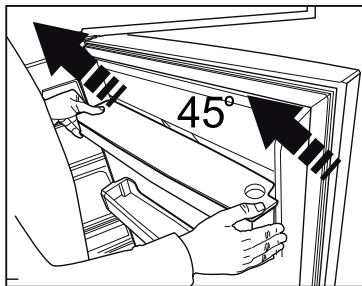
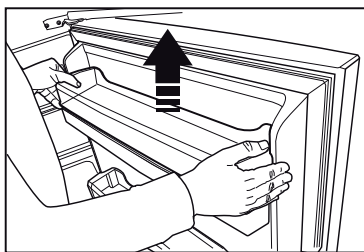
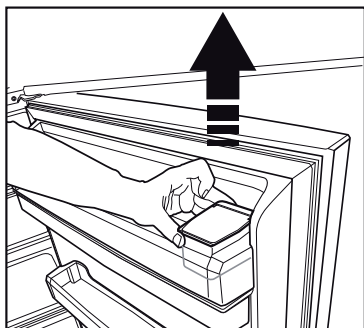
## Эксплуатация устройства

### 5.15. Очистка бака для воды

- Выньте емкость заполнения бака для воды, находящуюся в дверной полке.
- Снимите дверную полку, держа ее с двух сторон.
- Возьмитесь за бак для воды с двух сторон и выньте его под углом 45°С.
- Снимите крышку с бака и очистите его.

#### Важное замечание

Компоненты бака для воды и раздатчика охлажденной воды не предназначены для мытья в посудомоечной машине.



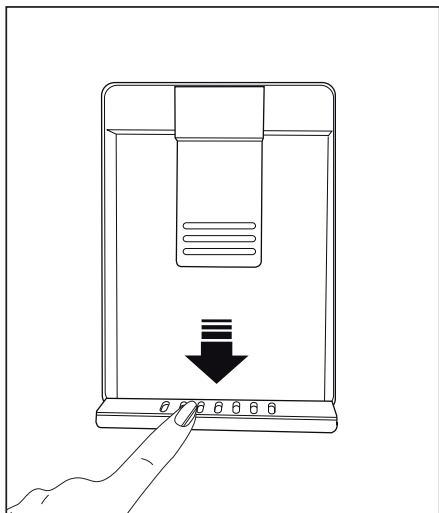
## Эксплуатация устройства

### 5.16. Поддон для воды

Вода, проливающаяся во время использования раздатчика охлажденной воды, собирается в поддоне для сбора воды. Достаньте пластиковый фильтр, как показано на рисунке.

Удалите собравшуюся воду чистой сухой тканью.

**ВНИМАНИЕ!** Подключать только к линии подачи питьевой воды.



## Эксплуатация устройства

### 5.17. Замораживание свежих продуктов

- Для сохранения качества продуктов питания, размещенных в морозильной камере, их необходимо замораживать как можно быстрее; используйте для этого быстрая заморозка.
- Замораживание продуктов питания в свежем состоянии продлит срок их хранения в морозильной камере.
- Упаковывайте продукты питания в герметичные упаковки и плотно закрывайте их.
- Прежде чем положить продукты питания в морозильную камеру, убедитесь, что они упакованы. Вместо традиционной упаковочной бумаги используйте контейнеры для замораживания, фольгу и влагозащищенные бумажные упаковочные материалы, пластиковые пакеты или подобные упаковочные материалы.



Лед, образующийся в морозильной камере, автоматически растапливается.

- Перед замораживанием укажите на каждом упакованном продукте питания дату замораживания. Это позволит

Вам определять свежесть содержимого каждой упаковки всякий раз, когда вы будете открывать морозильную камеру. Храните ближе к дверце те продукты, которые были заморожены раньше, чтобы использовать их в первую очередь.

- Замороженные продукты питания необходимо использовать сразу после размораживания. Не замораживайте их повторно.
- Не размораживайте большое количество пищи за один раз.

### 5.18. Рекомендации для хранения замороженных продуктов

Температура отсека должна быть установлена как минимум на  $-18^{\circ}\text{C}$ .

1. Поместите продукты питания в морозильную камеру как можно быстрее, чтобы избежать размораживания.
2. Перед замораживанием проверьте срок годности на упаковке, чтобы убедиться, что он не истек
3. Убедитесь, что упаковка продуктов не повреждена.

| Регулировка температуры морозильной камеры | Регулировка температуры морозильной камеры | Детальное описание  |
|--|--|---|
| $-18^{\circ}\text{C}$                      | $4^{\circ}\text{C}$                        | Эта настройка является рекомендованной настройкой по умолчанию.   |
| $-20, -22$ или $-24^{\circ}\text{C}$       | $4^{\circ}\text{C}$                        | Данные настройки рекомендуются в случае, когда внешняя температура превышает $30^{\circ}\text{C}$ .   |
| Быстрое замораживание                      | $4^{\circ}\text{C}$                        | Используется в случае, если вы хотите заморозить продукты в течение короткого промежутка времени. После окончания этого процесса восстанавливаются предыдущие установленные значения. |
| $-18^{\circ}\text{C}$ или ниже             | $2^{\circ}\text{C}$                        | Используйте данные настройки, если полагаете, что температура в холодильной камере недостаточно низкая в связи с внешней температурой или частым открыванием дверцы.                  |

## Эксплуатация устройства

### 5.19. Детальное описание процесса глубокого замораживания

В соответствии со стандартами МЭК 62552, морозильная камера должна иметь способность замораживать 4,5 кг продуктов питания на каждые 100 литров объема при температуре -8 °C или при более низких температурах в течение 24 часов.

Продовольственные товары можно хранить в течение длительных периодов времени исключительно при температуре в -18 °C и ниже.

Можно хранить продукты свежими в течение нескольких месяцев (в низкотемпературной морозильной камере при температуре не выше -18 °C).

Чтобы избежать частичного размораживания, еще не замороженные пищевые продукты не должны прикасаться к уже замороженным продуктам внутри устройства.

Чтобы продлить срок хранения в замороженном состоянии, отварите овощи и отфильтруйте воду. После фильтрации заверните пищу в воздухо непроницаемую упаковку и поместите в морозильную камеру. Не следует замораживать бананы, помидоры, салат-латук, сельдерей, отварные яйца, картошку и подобные пищевые продукты. В случае, если эти продукты поражены гнилью, негативное воздействие испытывают питательная ценность и вкусовые качества продуктов. Не вызывает сомнения, что употребление гнилых продуктов угрожает здоровью человека.

### 5.20. Размещение продуктов

|                                    |  |
|------------------------------------|--|
| Полки морозильной камеры           | Различные замороженные товары, включая мясо, рыбу, мороженое, овощи и т.п.                                   |
| Полки холодильной камеры           | Пищевые продукты в кастрюлях, накрытых крышками тарелках и упаковках с крышками, яйца (в упаковке с крышкой) |
| Полки на дверце холодильной камеры | Небольшие и упакованные пищевые продукты и напитки   |

Емкость для овощей

Фрукты и овощи

Отделение для свежих продуктов

Холодные закуски (хлопья, мясные продукты скорого употребления)

### 5.21. Сигнал открытой двери (в зависимости от модели)

Если дверца изделия открыта в течение 1 минуты, запускается звуковой сигнал. Чтобы отключить звуковой сигнал, закройте дверь или нажмите на любую кнопку на дисплее (если он имеется).

Предупреждение пользователю относительно открытой дверцы подается как в звуковом, так и в визуальном виде. Если предупреждение подается в течение 10 минут, внутреннее освещение выключается.

### 5.22. Изменение направления открытия дверцы

Можно изменять направление открытия дверцы холодильника в зависимости от места его установки с целью использования. В случае необходимости обратитесь в ближайший авторизованный сервисный центр.

Приведенное выше пояснение имеет общий характер. С информацией о возможности изменения направления открытия дверцы можно ознакомиться на предупредительной бирке, расположенной внутри упаковки изделия.

### 5.23. Внутреннее освещение

Внутреннее освещение обеспечивается посредством лампы светодиодного типа. В случае возникновения проблем с этой лампой обратитесь в авторизованную сервисную службу.

Лампы, используемые в этом устройстве, не подходят для освещения помещений. Эти лампы предназначены для того, чтобы пользователь мог безопасно и комфортно размещать продукты в холодильнике/морозильнике.



### 5.24. Синяя подсветка/ Технология HarvestFresh

\*Доступно не для всех моделей

#### О синей подсветке

Фрукты и овощи, хранящиеся в контейнерах холодильника в секции с синей подсветкой, продолжают фотосинтезировать благодаря эффекту световой волны, возникающему под воздействием синего света, и сохраняют витамины.

#### О технологии HarvestFresh

Фрукты и овощи, хранящиеся в контейнерах холодильника в секции с освещением по технологии HarvestFresh, сохраняют витамины дольше, поскольку чередование синего, зеленого и красного освещения и периодов темноты имитирует суточный цикл.

При открывании дверцы в момент, когда функцией HarvestFresh включен период темноты, в холодильнике автоматически включается подсветка синевато-зеленого или красного цвета для освещения контейнеров. После закрытия дверцы холодильника в нем вновь будет включен период темноты, имитирующий ночь в суточном цикле.

При регулярной чистке срок службы изделия увеличивается.



**ВНИМАНИЕ:** Перед чисткой холодильника прежде всего отключите его от сети.

- Запрещается использовать для чистки острые и абразивные инструменты, мыло, бытовые чистящие средства, моющие и полирующие средства.
- Растворите одну чайную ложку углекислой соды в пол-литре воды. Намочите ткань в растворе и тщательно ее отожмите. Протрите внутреннюю часть устройства этой тканью и тщательно высушите.
- Убедитесь, что вода не попала в корпус лампы и другие электрические элементы.
- Протрите дверцу влажной тканью. Чтобы снять дверцу и полки корпуса, удалите все их содержимое. Вытащите дверные полки, перемещая их вверх. Чтобы установить их после чистки, вдвиньте их в направлении сверху вниз.
- Запрещается использовать моющие средства или водный раствор хлора для очистки внешних поверхностей и компонентов изделия с хромовым покрытием. Хлор вызывает коррозию таких металлических поверхностей.
- Чтобы предотвратить удаление и деформацию изображений на пластиковом компоненте, не используйте острые, абразивные инструменты, мыло, бытовые чистящие средства, моющие средства, керосин, мазут, лак и т. д. Выполните чистку с помощью теплой воды и мягкой ткани, а затем вытрите насухо.

### 6.1. Как избежать неприятных запахов

Вызывающие запах материалы не используются в производстве наших устройств. Тем не менее, как неправильные условия хранения продуктов, так и отсутствие необходимой очистки внутренней поверхности устройства, может привести к возникновению проблемы, вызванной запахом.

Поэтому каждые 15 дней холодильник необходимо чистить водным раствором углекислой соды.

- Храните продукты в закрытых контейнерах. Микроорганизмы, распространяющиеся из незакрытых контейнеров, могут вызвать неприятные запахи.
- Запрещается хранить в холодильнике испортившиеся продукты с истекшим сроком годности.

### 6.2. Защита пластиковых поверхностей

Очищайте масло теплой водой немедленно, так как загрязнение маслом может привести к повреждению пластиковых поверхностей, на которые оно пролилось.

### 6.3. Стеклопленочные поверхности дверок

Снимите защитную пленку со стекла. На стеклопленочные поверхности нанесено покрытие. Такое покрытие снижает до минимума вероятность образования пятен и помогает легко удалять образовавшиеся пятна и грязь. Стеклопленочные поверхности, не защищенные таким покрытием, могут подвергнуться воздействию стойких воздушных или водяных соединений на основе органического или неорганического осадка грязи, например, накипи, минеральных солей, несгоревших углеводородов, оксидов и кремнийсодержащих соединений, способных легко и быстро стать причиной образования пятен или нанести материальный ущерб. Содержание таких стекол в чистом состоянии вызывает чрезвычайные затруднения, несмотря на регулярную чистку. Следовательно, внешний вид и прозрачность стекла ухудшается. Методы очистки с помощью агрессивных и коррозионно-активных средств усугубляют такие дефекты и ускоряют процесс износа.

Для целей регулярной чистки должны применяться не щелочные и не коррозионно-активные средства на водной основе.

Чтобы максимально продлить срок службы указанных покрытий, запрещается использование для чистки щелочных и коррозионно-активных средств.

Стеклянные поверхности выполнены из закаленного стекла с целью увеличения их устойчивости к ударам и трещинам.

В качестве дополнительной меры безопасности на их задние поверхности нанесена укрепляющая пленка с целью предотвращения причинения вреда окружающему пространству в случае повреждения поверхностей.

\*Щелочь является основанием, образующим гидроксид-ионы (ОН-) при растворении в воде.

Такие металлы, как Li (литий), Na (натрий), K (калий), Rb (рубидий), Cs (цезий), а также искусственный и радиоактивный Fr (франций), называются ЩЕЛОЧНЫМИ МЕТАЛЛАМИ.

Прежде чем обращаться в сервисный центр, ознакомьтесь с данным разделом. Это поможет вам сэкономить ваше время и деньги. В этом списке описаны наиболее частые жалобы, не относящиеся к браку производства или материалов. Некоторые упомянутые ниже функции могут быть не применимы к вашей модели.

#### Холодильник не работает.

- Вилка недостаточно прочно зафиксирована. >>> *Воткните ее так, чтобы он полностью вошел в розетку.*
- Перегорел предохранитель, соединяющийся с питающей продукт розеткой или основной предохранитель. >>> *Проверьте предохранители.*

Образование конденсата на боковой стенке холодильной камеры (MULTI ZONE, COOL, CONTROL и FLEXI ZONE).

- Дверца открывается слишком часто >>> *Старайтесь не открывать дверцу устройства слишком часто.*
- Слишком влажно. >>> *Не устанавливайте устройство в среде с высокой влажностью.*
- Пищевые продукты, содержащие жидкости, хранятся в незакрытых упаковках. >>> *Храните содержащие жидкости продукты в закрытых упаковках.*
- Дверца устройства оставлена открытой. >>> *Не оставляйте дверцу устройства открытой надолго.*
- Термостат установлен на слишком низкую температуру. >>> *Установите термостат на надлежащую температуру.*

Не работает компрессор.

- В случае внезапного отключения электропитания или вытаскивания, а затем включения вилки обратно в розетку давление газа в холодильной системе устройства разбалансируется, это вызывает включение теплового предохранителя компрессора. Устройство перезапустится примерно через 6 минут. Если устройство не перезапустилось по истечении этого времени, обратитесь в сервисную службу.
- Включена разморозка. >>> *Это стандартная установка для полностью автоматического размораживающего устройства. Разморозка проводится периодически.*
- Вилка устройства не включена в розетку. >>> *Убедитесь, что шнур электропитания включен в розетку.*
- Неверная установка температуры. >>> *Выберите подходящие настройки температуры.*
- Отключено электропитание. >>> *Устройство заработает в стандартном режиме, как только будет возобновлено электропитание.*

Звук работающего холодильника в ходе работы становится громче.

- Рабочие характеристики устройства могут меняться в зависимости от изменений температуры окружающей среды. Это нормально и не является поломкой.

Холодильник течет слишком часто или слишком долго.

## Поиск и устранение неисправностей

- Новый холодильник может быть больше предыдущего. Большие холодильники текут дольше.
- Комнатная температура может быть высокой. >>> При более высокой температуре холодильник обычно течет более длительные периоды времени.
- Холодильник недавно подключен или внутрь помещен новый пищевой продукт. >>> Когда холодильник недавно подключен или внутрь помещен новый продукт, для достижения установленной температуры требуется больше времени. Это нормально.
- Возможно, в холодильник недавно поместили большое количество горячей пищи. >>> Не помещайте в холодильник горячую пищу.
- Дверцы открывались часто или оставались открытыми длительные периоды времени. >>> Попадание внутрь теплого воздуха приведет к тому, что холодильник течет дольше. Не открывайте дверцы слишком часто.
- Дверца морозильной или холодильной камеры может быть неплотно закрыта. >>> Убедитесь, что дверцы плотно закрыты.
- Устройство может быть установлено на слишком низкую температуру. >>> Установите холодильник на более высокий показатель и дождитесь, когда он достигнет исправленной температуры.
- Шайба дверцы холодильной или морозильной камеры может быть загрязнена, изношена, сломана или не установлена должным образом. >>> Очистите или замените шайбу. Поврежденная/порванная шайба может привести к тому, что устройство будет течь дольше, чтобы сохранить текущую температуру.

**Температура морозильной камеры очень низкая, но температура холодильной камеры правильная.**

- Температура морозильной камеры установлена на очень низкий уровень. >>> *Установите температуру морозильной камеры на более высокий уровень и проверьте заново.*

**Температура холодильной камеры очень низкая, но температура морозильной камеры правильная.**

- Температура холодильной камеры установлена на очень низкий уровень. >>> *Установите температуру холодильной камеры на более высокий уровень и проверьте заново.*

**Пищевые продукты, содержащиеся на полках холодильной камеры, заморожены.**

- Температура холодильной камеры установлена на очень низкий уровень. >>> Установите температуру морозильной камеры на более высокий уровень и проверьте заново.

**Слишком высокая температура в холодильной или морозильной камере.**

## Поиск и устранение неисправностей

- Температура холодильной камеры установлена на очень высокий уровень. >>> *Настройки температуры холодильной камеры влияют на температуру в морозильной камере. Измените температуру в холодильной или морозильной камере и дождитесь, когда в соответствующей камере будет достигнута новая температура.*
- Дверцы открывались часто или оставались открытыми длительные периоды времени. >>> *Не открывайте дверцы слишком часто.*
- Дверца закрыта неплотно. >>> *Закройте дверцу плотно.*
- Холодильник недавно подключен или внутрь помещен новый пищевой продукт. >>> *Это нормально. Когда устройство недавно подключено или внутрь помещен новый продукт, для достижения установленной температуры требуется больше времени.*
- Возможно, в холодильник недавно поместили большое количество горячей пищи. >>> *Не помещайте в устройство горячую пищу.*

Тряска или шум.

- Поверхность пола неровная или неустойчивая. >>> *Если устройство трясется при медленном перемещении, отрегулируйте стойки для выравнивания устройства. Также проверьте, достаточно ли устойчива поверхность для размещения на ней устройства.*
- Размещение любых предметов на холодильнике может вызвать шум. >>> *Уберите любые предметы с устройства.*

Холодильник издает звуки текущей воды, распыления и т.п.

- Принципы работы устройства включают в себя потоки воды и газа. >>> Это нормально и не является поломкой.

Из холодильника слышен звук, похожий на порывы ветра.

- Устройство использует для процесса охлаждения вентилятор. Это нормально и не является поломкой.

На внутренних стенках холодильника образовывается конденсат.

- Жаркая или влажная погода провоцирует обледенение и конденсацию. Это нормально и не является поломкой.
- Дверцы открывались часто или оставались открытыми длительные периоды времени. >>> Не открывайте дверцы слишком часто; если открыли, закройте.
- Дверца закрыта неплотно. >>> Закройте дверцу плотно.

На внешней стороне устройства или между дверцами образовывается конденсат.

## Поиск и устранение неисправностей

- Погода окружающей среды может быть влажной, это вполне нормально при влажной погоде. >>> Конденсат исчезнет, когда снизится влажность.
- Пищевые продукты могут задевать верхнюю часть ящика. >>> Переложите пищевые продукты в ящике.

### Внутри плохо пахнет.

- Устройство не очищается регулярно. >>> Регулярно очищайте внутри устройства губкой, теплой и сатурированной водой.
- Некоторые виды материалов, из которых состоят контейнеры и упаковки, могут давать запах. >>> Используйте контейнеры и упаковки из не пахнущих материалов.
- Продукты были помещены в незакрывающиеся контейнеры. >>> Храните продукты в закрытых контейнерах. Из незакрытых пищевых продуктов могут выделяться микроорганизмы, вызывающие неприятные запахи.
- Убирайте испорченные или продукты с истекшим сроком хранения из холодильника.

### Дверца не закрывается.

- Упаковки с продуктами могут мешать закрытию дверцы. >>> Переместите предметы, блокирующие дверцу.
- Устройство не стоит на поверхности строго вертикально. Отрегулируйте стойки для балансировки холодильника.
- Поверхность пола неровная или неустойчивая. >>> Проверьте, достаточно ли ровна и устойчива поверхность для размещения на ней холодильника.

### Емкость для овощей застрял.



**ПРЕДУПРЕЖДЕНИЕ:** Если после следования инструкциям этого раздела проблема не решена, свяжитесь с вашим поставщиком или авторизованной сервисной службой. Не пытайтесь починить устройство самостоятельно.